

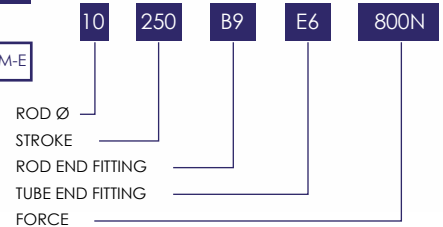


HOW TO ORDER

Use SS for stainless steel variant

STANDARD **NS-FF-M-E**

STAINLESS STEEL **NS-SS-FF-M-E**



Also available with:



MECHANICAL LOCKING

Mechanical locking struts have a unique mechanism which allows the strut to be either locked in the fully extended position, or the fully compressed position.

Locking in the fully extended position eliminates the need for additional locking tubes. The mechanical lock will keep the rod fully extended if the gas struts should lose pressure. The other advantage is that if the strut is used to raise an object to a certain level that may then have an additional load added to it, the strut will remain locked in the fully extended position.

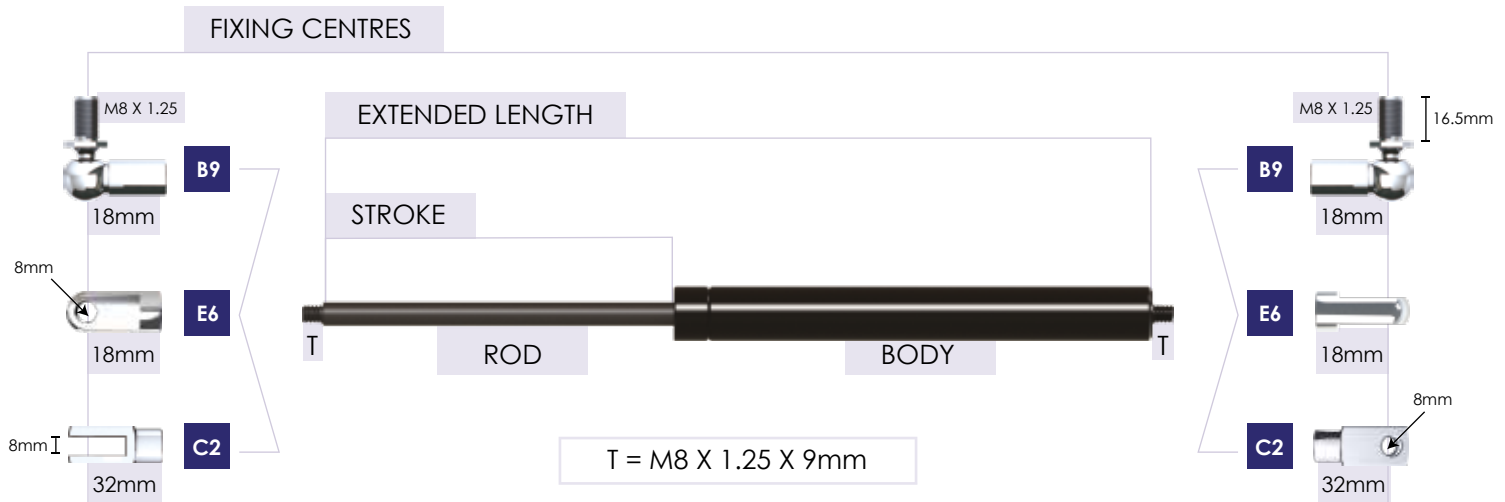
The mechanical lock in compression allows the user to set the strut up on an application which may require;

- a positive lock on a lid or flap in the closed position.
- the strut to open a lid or flap automatically from the closed lock position upon release of the mechanism.

Mechanical locking struts are available with a side release valve for adjusting in-situ.

Mechanical locking struts are available in stainless steel, however some components are diecast so offer limited corrosion resistance, and may not be suitable in marine or highly corrosive environments.

When ordering the stainless steel variant of the variable force mechanical locking strut, please remember to add 5mm to the body length.



Standard features:



Optional features:



CUSTOM STRUT ORDERING

CODE	ROD	BODY	STROKE RANGE	EXT. LENGTH CALCULATION	THREAD	FORCE INCREASE	FORCE RANGE
Steel NS-FF-M-E Stainless NS-SS-FF-M-E	10	21	10 - 500mm	stroke x 2 + 60	M8 x 1.25	39%	50 - 1200N

STANDARD RANGE SPECIFICATION (NS-FF-M-E)

PANEL WEIGHT FOR 10-21:	25 - 140kg per pair
WORKING TEMPERATURE RANGE:	-30°C to +80°C
MATERIAL:	STEEL
ROD:	QPQ
BODY COATING:	POWDER COATING
GUARANTEE:	2 years

STAINLESS STEEL VARIANT (NS-SS-FF-M-E)

COMPATIBLE RANGES	10-21
ROD:	CHROME PLATED 316
BODY:	316 SS (STAINLESS STEEL)



Some components are diecast and can not be finished in stainless steel

BRACKETS

See pages 58 - 66 for our full range

END FITTINGS

See pages 53 - 57 for our full range

	STEEL	PLASTIC (ON STRUTS OF UP TO 400N)	SS (STAINLESS STEEL)
BALL JOINTS	B9 - B12	PB5	SSB9 - SSB11
EYE ENDS	E6 - E10	-	SSE6 - SSE10
CLEVIS FORKS	C2	-	SSC2





Standard features:



EXAMPLE SHOWN: 8 - 19 VARIANT WITH M6 THREAD

Optional features:



CUSTOM STRUT ORDERING

CODE	ROD	BODY	STROKE RANGE	EXT. LENGTH CALCULATION	THREAD	FORCE INCREASE	FORCE RANGE
Steel NS-FF-M-C	8	19	10 - 500mm	stroke x 2 + 89	M6 x 1	33%	50 - 700N
Stainless NS-SS-FF-M-C	10	21	10 - 500mm	stroke x 2 + 108	M8 x 1.25	39%	50 - 1200N

STANDARD RANGE SPECIFICATION (NS-FF-M-C)

PANEL WEIGHT FOR 8-19:	6 - 35kg per pair
PANEL WEIGHT FOR 10-22:	25 - 140kg per pair
WORKING TEMPERATURE RANGE:	-30°C to +80°C
MATERIAL:	STEEL
ROD:	QPQ
BODY COATING:	POWDER COATING
GUARANTEE:	2 years

STAINLESS STEEL VARIANT (NS-SS-FF-M-C)

COMPATIBLE RANGES	8-19, 10-21
ROD:	CHROME PLATED 316
BODY:	316 SS (STAINLESS STEEL)



Some components are diecast and can not be finished in stainless steel, as such these stainless steel struts are not recommended for marine applications.

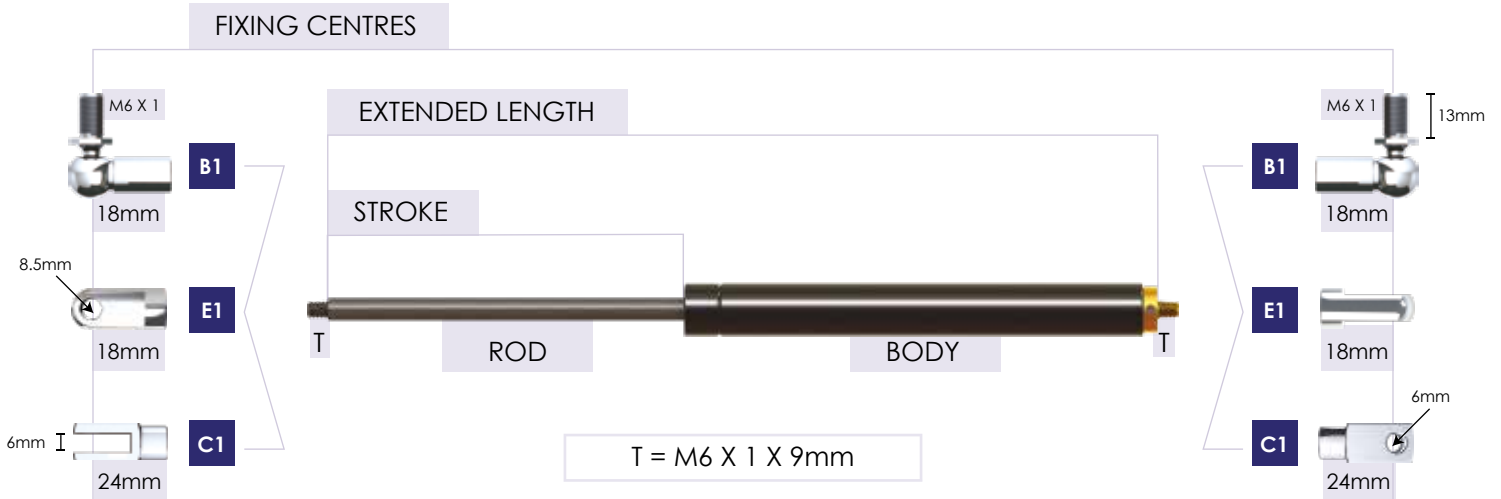
BRACKETS

See pages 58 - 66 for our full range

END FITTINGS

See pages 53 - 57 for our full range





Standard features:



EXAMPLE SHOWN: 8 - 19 VARIANT WITH M6 THREAD

Optional features:



CUSTOM STRUT ORDERING

CODE	ROD	BODY	STROKE RANGE	EXT. LENGTH CALCULATION	THREAD	FORCE INCREASE	FORCE RANGE
Steel NS-V-M-E	8	19	10 - 500mm	stroke x 2 + 98.50	M6 x 1	33%	50 - 700N
Stainless NS-SS-V-M-E	10	21	10 - 500mm	stroke x 2 + 117.50	M8 x 1.25	39%	50 - 1200N

STANDARD RANGE SPECIFICATION (NS-V-M-E)

PANEL WEIGHT FOR 8-19:	6 - 35kg per pair
PANEL WEIGHT FOR 10-22:	25 - 140kg per pair
WORKING TEMPERATURE RANGE:	-30°C to +80°C
MATERIAL:	STEEL
ROD:	QPQ
BODY COATING:	POWDER COATING
GUARANTEE:	2 years

STAINLESS STEEL VARIANT (NS-SS-V-M-E)

COMPATIBLE RANGES	8-19, 10-21
ROD:	CHROME PLATED 316
BODY:	316 SS (STAINLESS STEEL)

Please add 5mm to the body length for the stainless steel variant



Some components are diecast and can not be finished in stainless steel, as such these stainless steel struts are not recommended for marine applications.

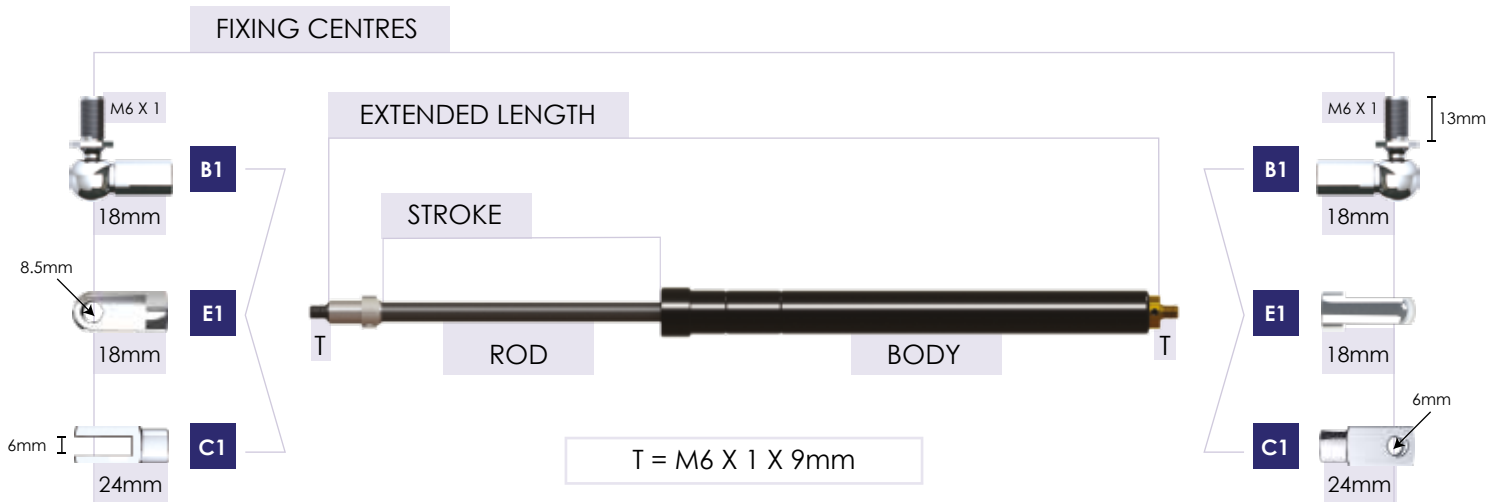
BRACKETS

See pages 58 - 66 for our full range

END FITTINGS

See pages 53 - 57 for our full range





Standard features:



EXAMPLE SHOWN: 8 - 19 VARIANT WITH M6 THREAD

Optional features:



CUSTOM STRUT ORDERING

CODE	ROD	BODY	STROKE RANGE	EXT. LENGTH CALCULATION	THREAD	FORCE INCREASE	FORCE RANGE
Steel NS-V-M-C	8	19	10 - 500mm	stroke x 2 + 107.50	M6 x 1	33%	50 - 700N
Stainless NS-SS-V-M-C	10	21	10 - 500mm	stroke x 2 + 127.50	M8 x 1.25	39%	50 - 1200N

STANDARD RANGE SPECIFICATION (NS-V-M-C)

PANEL WEIGHT FOR 8-19:	6 - 35kg per pair
PANEL WEIGHT FOR 10-22:	25 - 140kg per pair
WORKING TEMPERATURE RANGE:	-30°C to +80°C
MATERIAL:	STEEL
ROD:	QPQ
BODY COATING:	POWDER COATING
GUARANTEE:	2 years

STAINLESS STEEL VARIANT (NS-SS-V-M-C)

COMPATIBLE RANGES	8-19, 10-21
ROD:	CHROME PLATED 316
BODY:	316 SS (STAINLESS STEEL)

Please add 5mm to the body length for the stainless steel variant



Some components are diecast and can not be finished in stainless steel, as such these stainless steel struts are not recommended for marine applications.

BRACKETS

See pages 58 - 66 for our full range

END FITTINGS

See pages 53 - 57 for our full range

