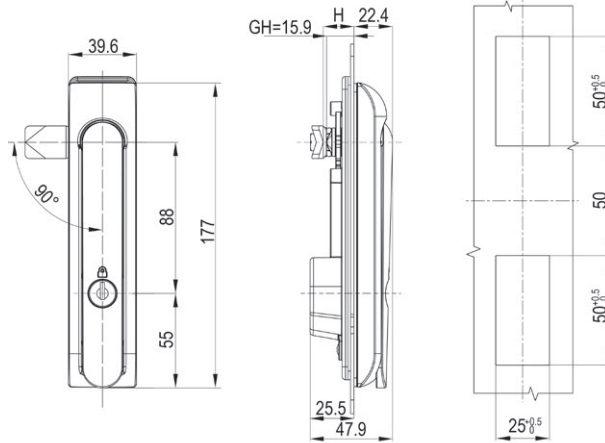


Swinghandle Lock 1207

RL IP65



Panel Cutout

Zinc die body (black powder coated or bright chrome plated).

Cylinder Style		Black Textured Powder Coated	Bright Chrome
CH751 Cylinder	Without Padlock	1207-101-20	1207-101-30
	Padlockable	1207-101-20-P	1207-101-30-P
Triangle Insert 8	Without Padlock	1207-103-20	1207-103-30
	Padlockable	1207-103-20-P	1207-103-30-P

Accessories ref. page 238. Cam ref. page 232.

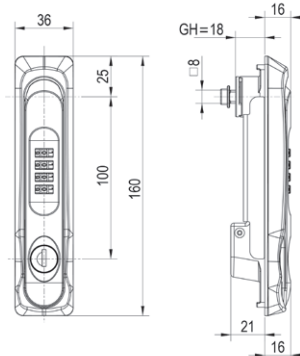
Remark 1. Key different on request. 2. Keyed CH751.

Combination Lock 1208/1210

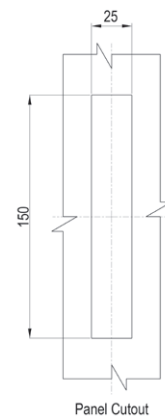
RL IP65



Version A

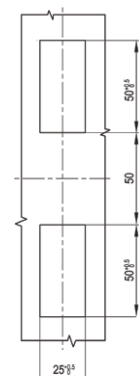


Version A



Panel Cutout

Version B



Black polyamide body, zinc die handle and SS304 shaft, mild steel zinc plated fixing components.

	Black Textured Powder Coated
Version A	1208-101-20
Version B	1210-101-20

Accessories ref. page 238. Cam ref. page 232. **Remark** 1. Keyed KEY333. 2. CH751 keyed on request.