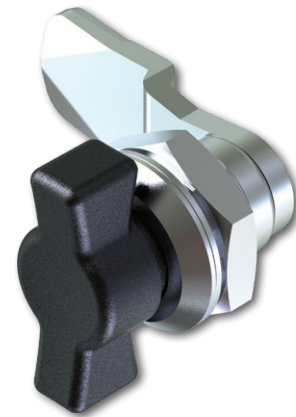
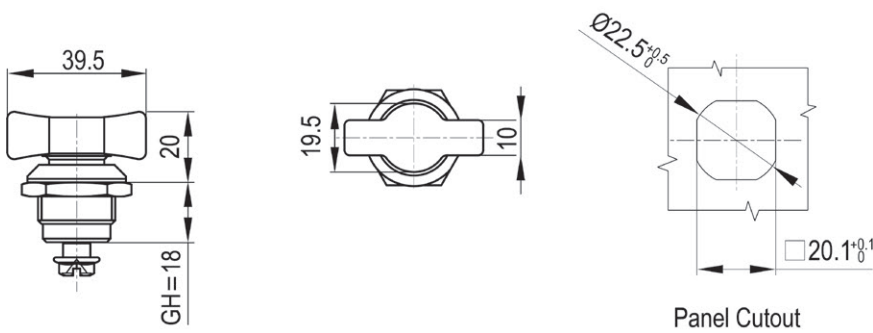


Zinc die handle and housing (black powder coated, bright chrome, polyamide or stainless steel 316). Mild steel zinc plated cam.

Insert Type	Zinc Die			
	Bright Chrome	SS316	Black Powder Coated	PA
Alike KEY333	1401-18-30	1401-18-316	1401-18-20	1401-18-PA

Accessories ref. page 238. Cam ref. page 232.

Remark 1. Key different on request. **2.** CH751 keyed on request. **3.** Insert is not spring loaded.



Zinc die handle and housing (black powder coated or bright chrome). Mild steel zinc plated cam.

Insert Type	Zinc Die	
	Bright Chrome	Black Textured Powder Coated
Wing knob	1401-170-30	1401-170-20

Accessories ref. page 238. Cam ref. page 232.

Remark 1. Cam sold separately.