

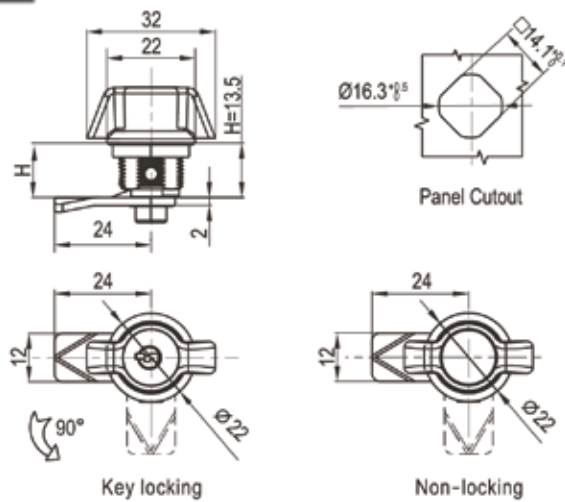
Zinc die handle and housing (black powder coated, bright chrome or stainless steel 316). Mild steel zinc plated cam.

| | Bright Chrome | Black Textured Powder Coated | SS316 |
|-------------|---------------|------------------------------|--------------|
| Key Locking | 1402-110-30 | 1402-110-20 | 1402-110-316 |
| Non Locking | 1402-100-30 | 1402-100-20 | 1402-100-316 |

Accessories ref. page 238. Cam ref. page 232.

Remark 1. Keyed KEY333. 2. CH751 keyed on request. 3. Key different on request. 4. Insert is not spring loaded.

RL IP65



Zinc die handle and housing (black powder coated or bright chrome). Mild steel zinc plated cam.

| | H | Black Textured Powder Coated | Bright Chrome |
|-------------|--------|------------------------------|--------------------|
| Non Locking | H=7.5 | 1402-300-20.107.5 | 1402-300-30.107.5 |
| | H=13.5 | 1402-300-20.1013.5 | 1402-300-30.1013.5 |
| | H=19.5 | 1402-300-20.1019.5 | 1402-300-30.1019.5 |
| Key Locking | H=7.5 | 1402-310-20.107.5 | 1402-310-30.107.5 |
| | H=13.5 | 1402-310-20.1013.5 | 1402-310-30.1013.5 |
| | H=19.5 | 1402-310-20.1019.5 | 1402-310-30.1019.5 |

Remark 1. Keyed 2233