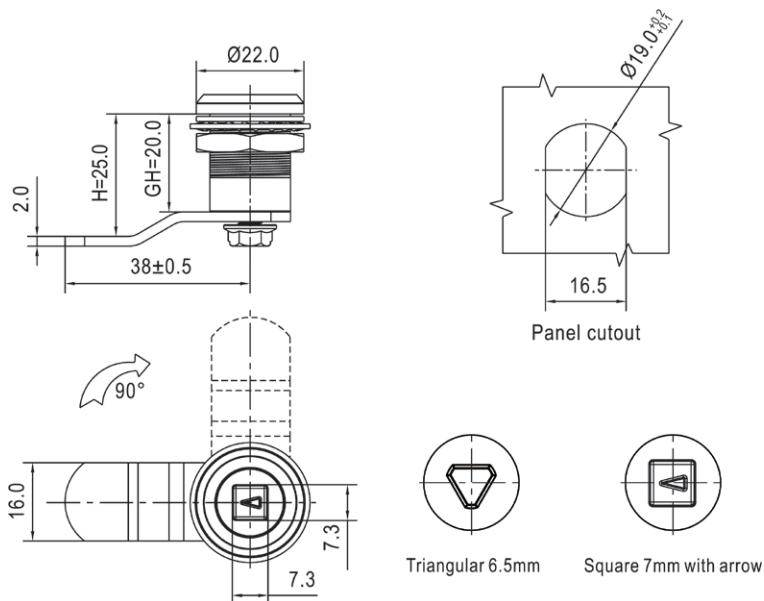
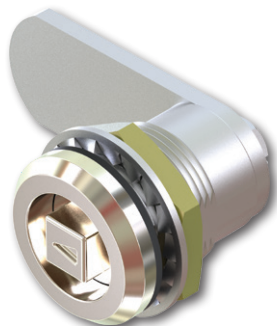




Quarter Turn Lock 1432/1435

IP40 RL

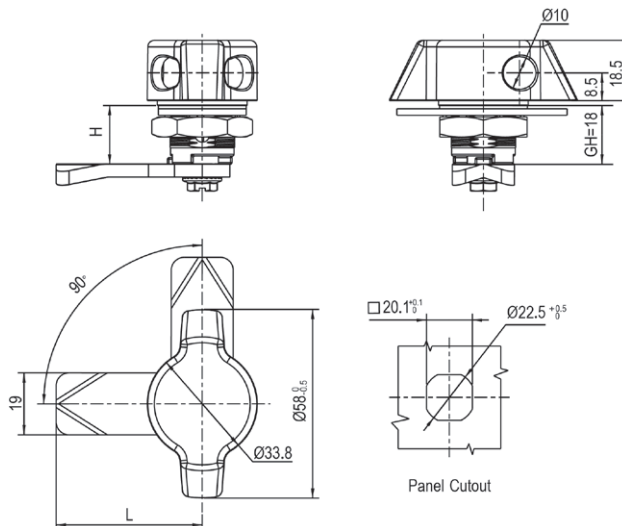
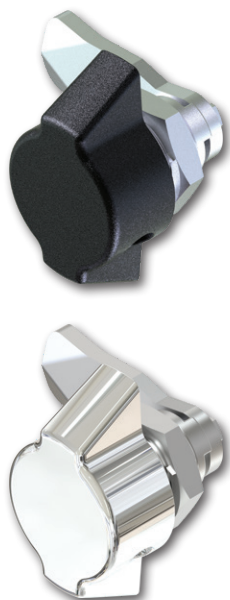
QUARTER TURN LOCKS



Cylinder Style	Zinc Die Housing
	Nickel Plated
Square 7mm With Arrow	1432-047-80
Triangular 6.5mm	1432-036-80

Remark: 1. O-ring, with anti-vibration function.

IP65 RL



Zinc die handle and housing (black powder coated or bright chrome), zinc plated cam.

Black Textured Powder Coated	Bright Chrome
1435-110-20	1435-110-30

Accessories ref. page 238. Cam ref. page 232.

www.metrolmotion.com