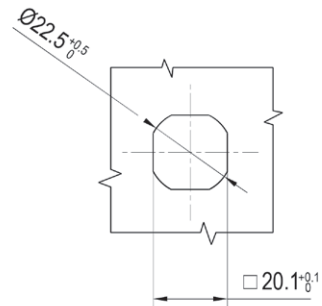
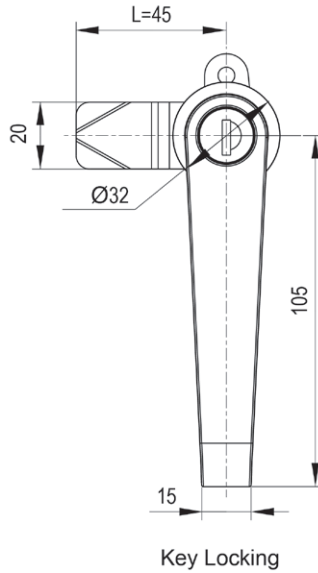
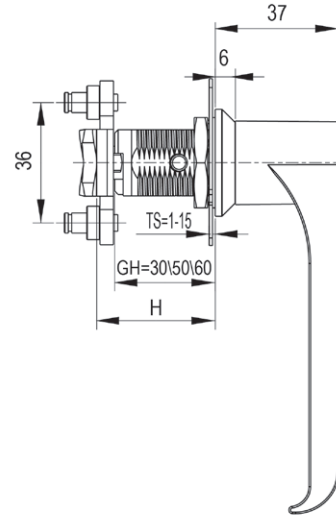
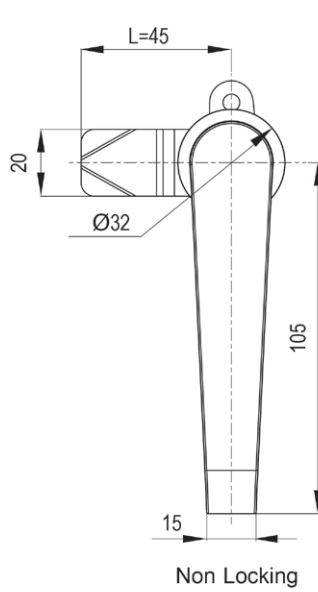




# L-Handle Lock 1311

RL IP65

L-HANDLE LOCKS



Zinc die handle and housing (black powder coated or bright chrome).  
Mild steel zinc plated cam.

	GH=30		GH=50		GH=60
	Bright Chrome	Black Textured Powder Coated	Bright Chrome	Black Textured Powder Coated	Black Textured Powder Coated
Key Locking	1311-30110-30	1311-30110-20	1311-50110-30	1311-50110-20	1311-60110-20
Non Locking	1311-30100-30	1311-30100-20	1311-50100-30	1311-50100-20	1311-60100-20

Accessories ref. page 238. Cam ref. page 232.

**Remark** 1. Keyed KEY333. 2. CH751 keyed on request. 3. Key different on request. 4. Insert is not spring loaded.

www.metrolmotion.com