

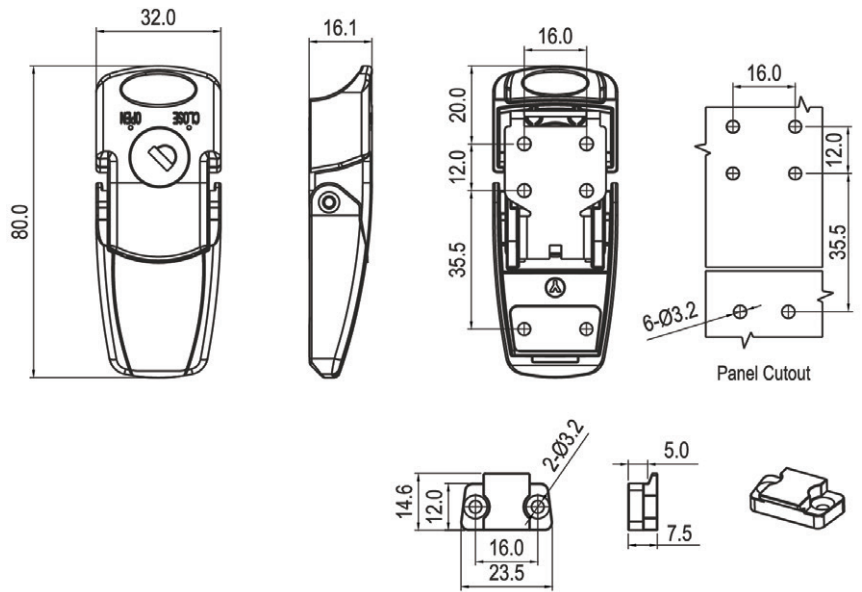


# Over-Center Draw Latch 1262

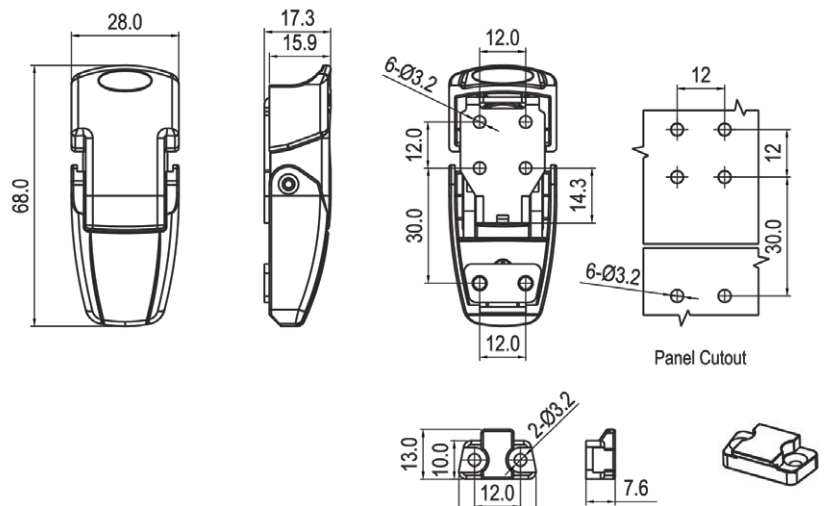
## OVER-CENTER DRAW LATCHES



Large size



Small size



Zinc die (black powder coated or satin chrome).

		Key Locking	Non Locking
Black Powder Coated	Large Size	1262-110-10	1262-100-10
	Small Size	1262-210-10	1262-200-10
Satin Chrome	Large Size	1262-110-40	1262-100-40
	Small Size	1262-210-40	1262-200-40

Remark 1. Keyed 1262.