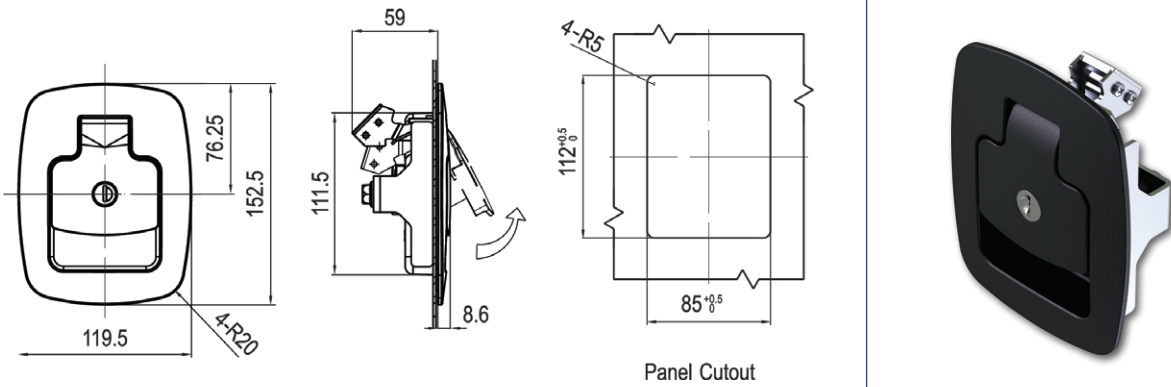


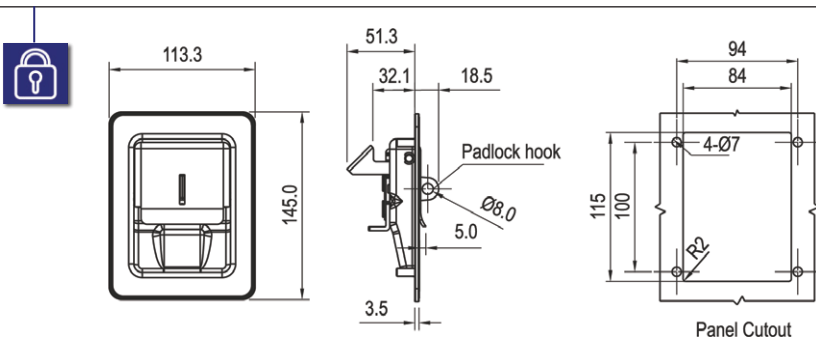
Paddle Latch 1701/1702



Black polyamide plastic housing and handle.

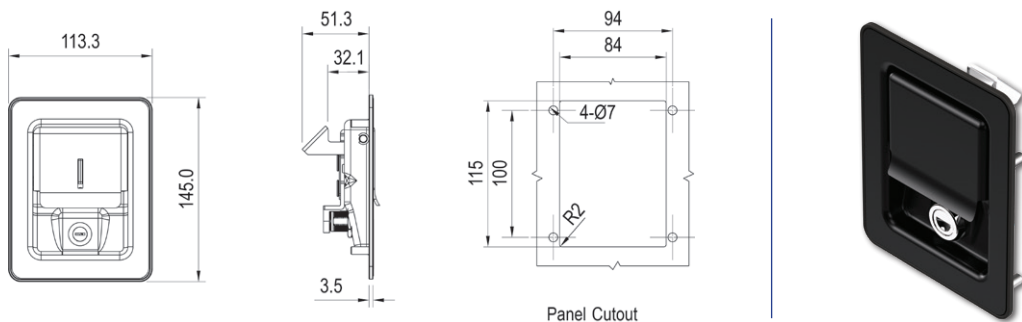
Key Locking	1701-10-90
-------------	------------

Remark 1. Keyed 1701.



Mild steel paddle housing, handle and padlock hook (black powder coated). Mild steel zinc plated side plate and cam.

Padlockable	1702-00-10-P
-------------	--------------



Q235 Paddle housing and handle (e-coated or black powder coated). Q235 Slide plate and Cam (zinc plated). Rivet stud and Pin (SS304, natural).

Key Locking	1702-10A-10
-------------	-------------

Remark 1. Keyed 1701.