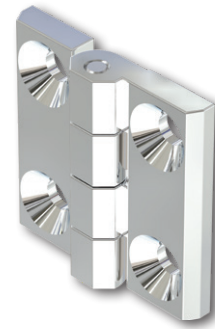
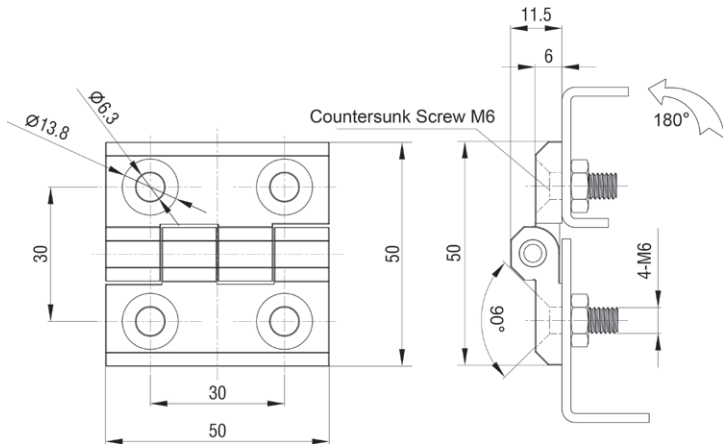
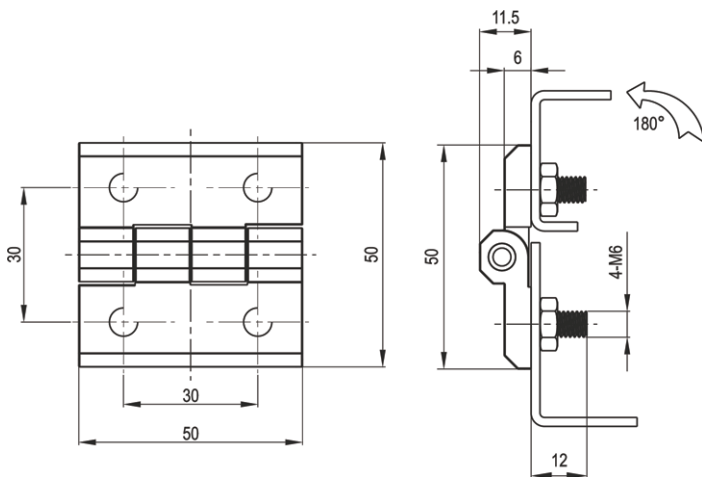


Countersunk Screw M6



SS material upon request.

With Threaded Studs M6



Zinc die, mild steel zinc plated, SS pin and threaded studs (black powder coated or bright chrome).

Screw-On Hinge 50x50		
Finish	Countersunk Screw M6	With Threaded Studs M6
Black Powder Coated	2101-500-20	2101-501-20
Bright Chrome	2101-500-30	
SS316	2101-500-316	
Textured Chrome Plated		2101-501-79