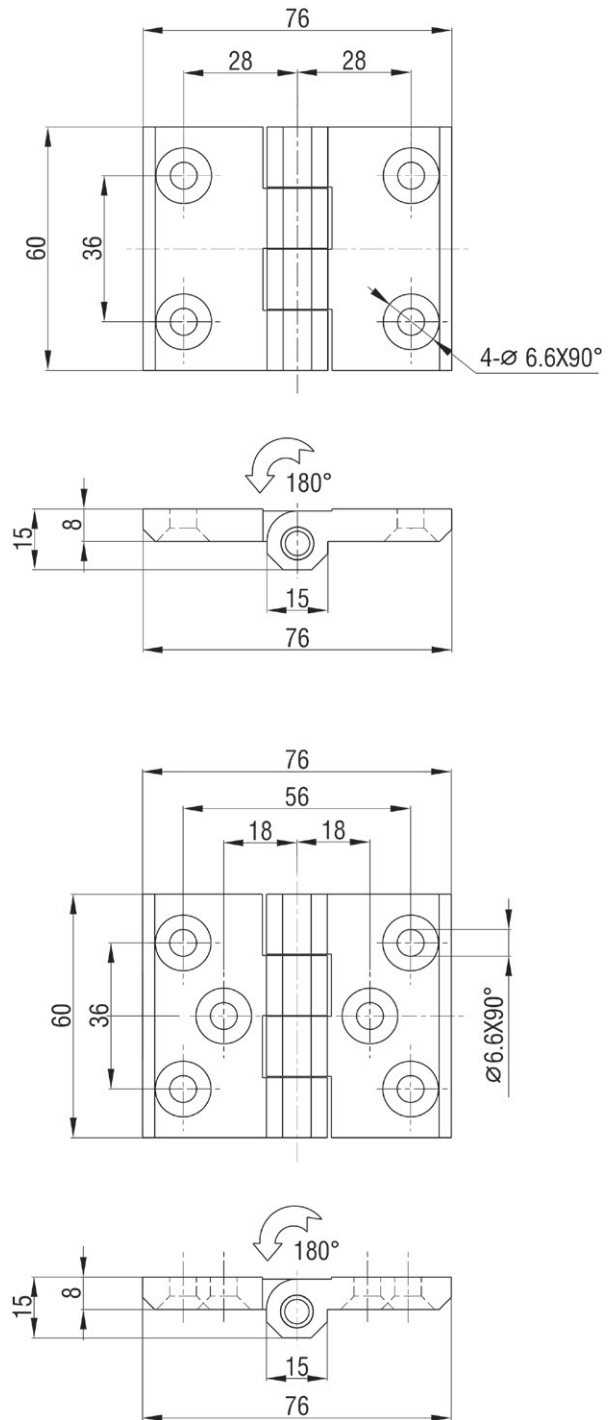


Countersunk Screw M6



Zinc die, mild steel zinc plated, SS pin (black powder coated or bright chrome). SS material upon request.

Screw-On Hinge 60x76		
Finish	4 Countersunk Screw Holes M6	6 Countersunk Screw Holes M6
Black Powder Coated	2101-6764-20	2101-6766-20
Bright Chrome	2101-6764-30	2101-6766-30