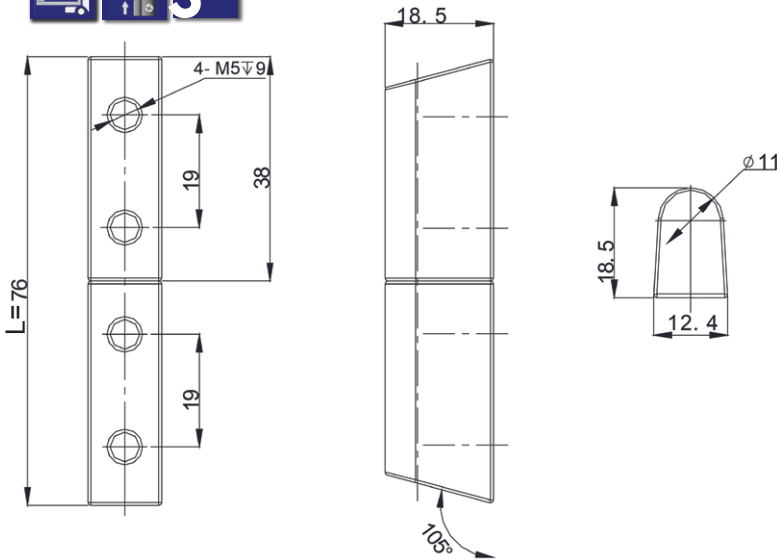


Zinc die, bright chrome, nickel plated pin, or full SS316.

Length	Bright Chrome	SS316
L=82	2215-800-30	2215-800-316



SS316 material.

Length	SS316
L=76	2217-760-316