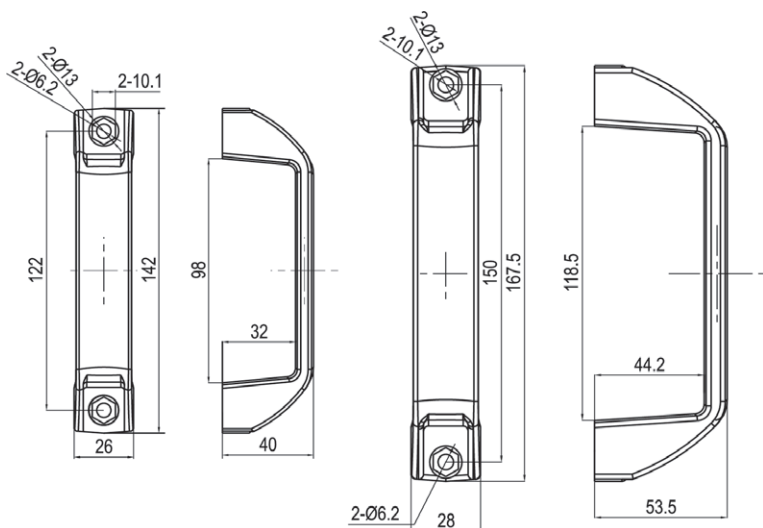
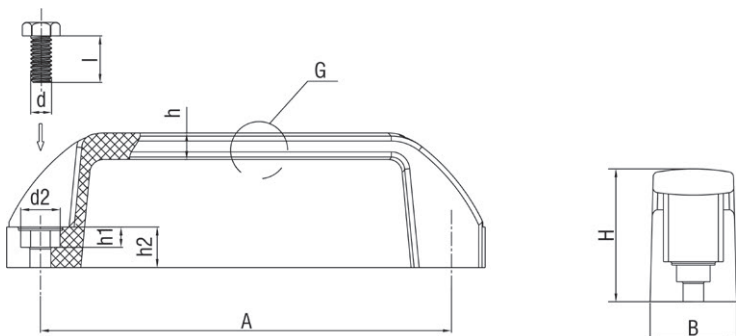


U Shape Handle 3201



Polyamide 6, glass fibre reinforced 30% handle in black.

Middle Size L=122	3201-122
Long Size L=150	3201-150



Aluminium alloy handle (black powder coated).

	Description	A	d	d2	h1	h2	B	H	h
3201-090	90x6.5	90	M6	12	7	12	20	36	6
3201-120	120x8.5	120	M8	15	9	15	26	40	7
3201-180	180x8.5	180	M8	15	9	18	28	50	8