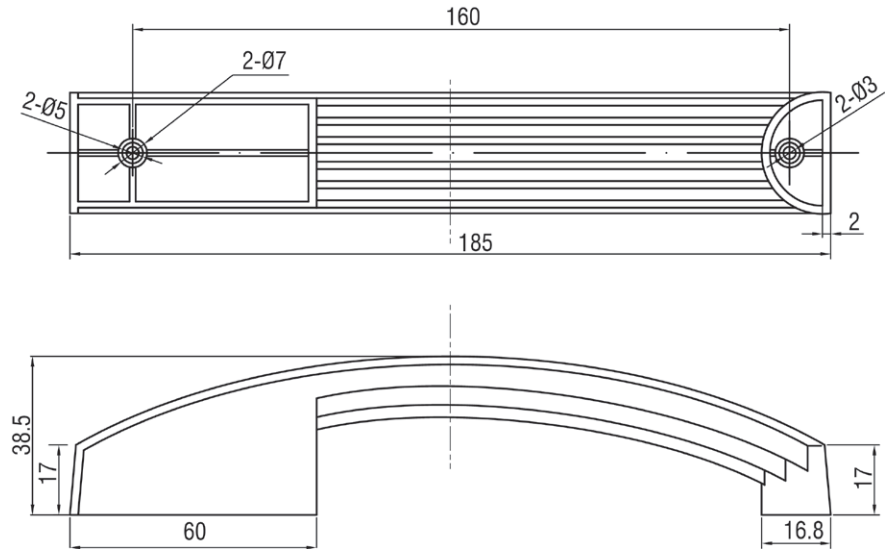


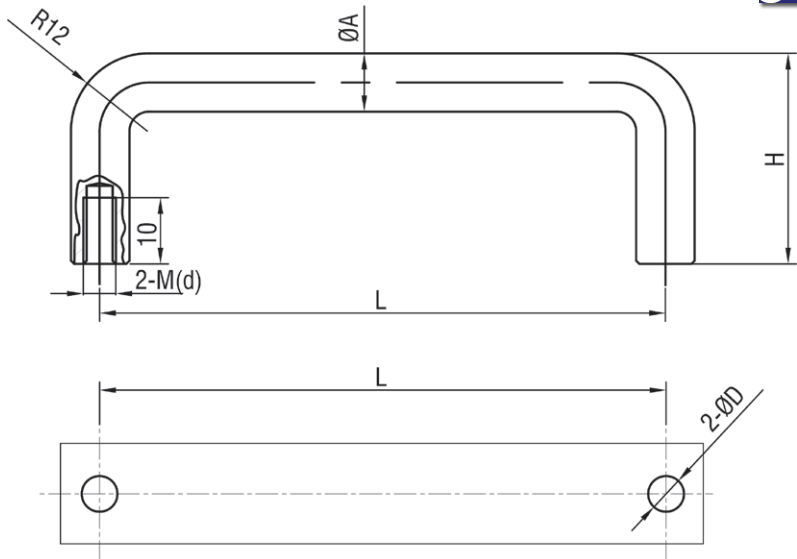


U Shape Handle 3202/3203



Polyamide 6, glass fibre reinforced 30% (black or dark grey).

Dark Grey	3202-185
-----------	----------



Steel, bright chrome, or SS304.

L	A	h	D	d	SS304	Steel
87	Ø9	40	2-Ø6	2-M5	3203-08740-9304	3203-08740-901
100	Ø9	40	2-Ø6	2-M5	3203-10040-9304	3203-10040-901
120	Ø9	40	2-Ø6	2-M5	3203-12040-9304	3203-12040-901
135	Ø9	40	2-Ø6	2-M5	3203-13540-9304	3203-13540-901
150	Ø9	40	2-Ø6	2-M5	3203-15040-9304	3203-15040-901