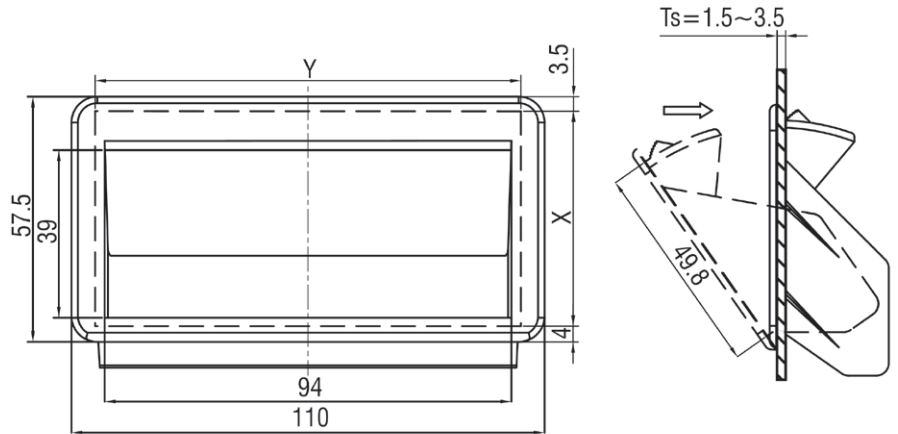




Pocket Pull Handle 3301

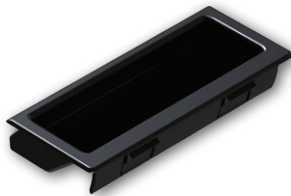


Large size

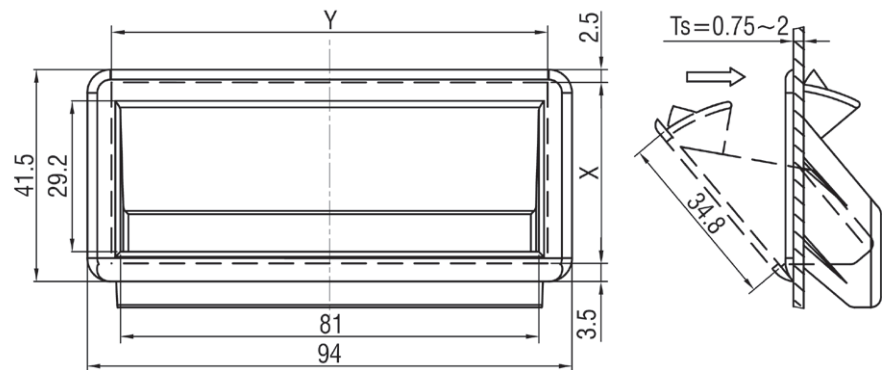


Panel cutout

Ts (mm)	X	Y
1.5~2	49.8 ^{+0.2}	99.5
2~3	50 ^{+0.3}	99.5



Small size



Panel cutout

Ts (mm)	X	Y
0.75~1	35 ^{+0.2}	85 ^{+0.3}
1~2	36 ^{+0.2}	85 ^{+0.3}

Polyamide 6, glass fibre reinforced 30% (black).

Large Size	3301-01
Small Size	3301-02