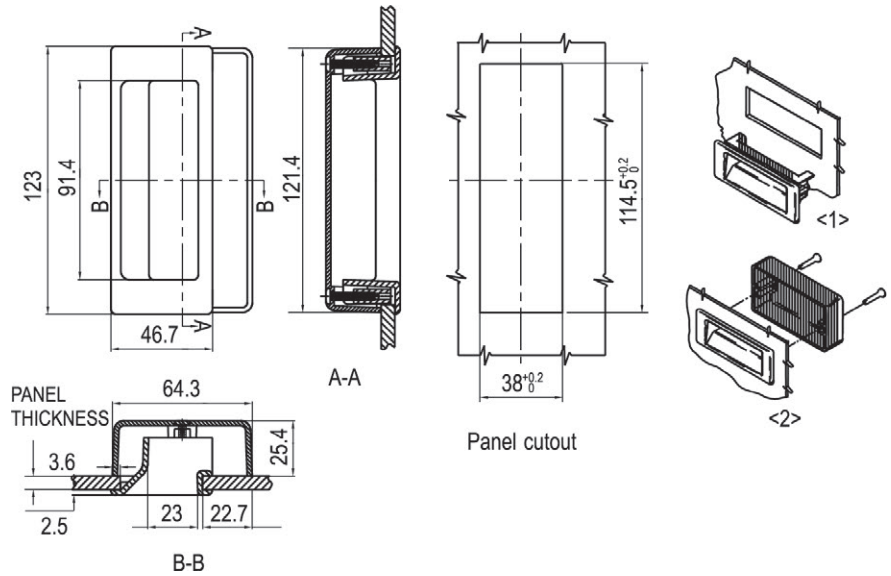


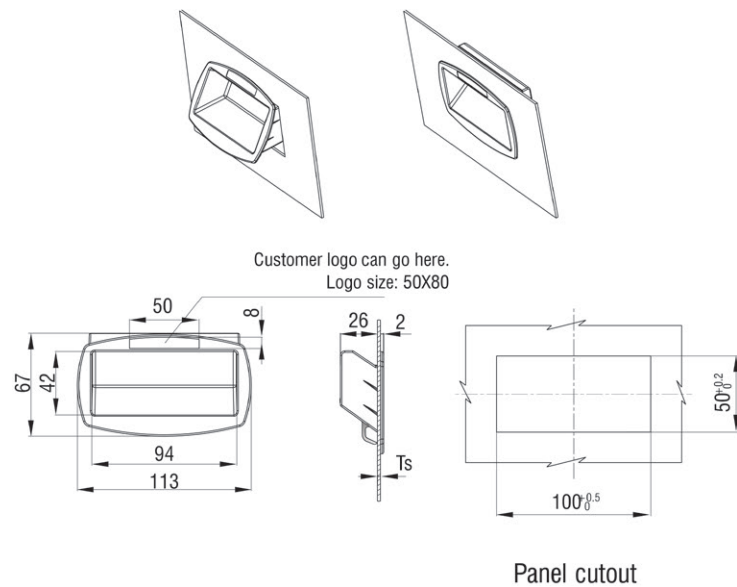


Pocket Pull Handles 3305/3307



Black ABS.

Panel Ts= Min ~Max	
1.0-1.8	3305-01
1.8~3.3	3305-02
3.3~4.8	3305-03
4.8~6.3	3305-04



Black polyamide and glass fibre reinforced.

Panel Ts= Min ~Max	
0.8~1.2	3307-01
1.2~1.6	3307-02
1.75~2.2	3307-03