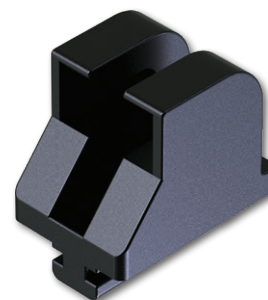
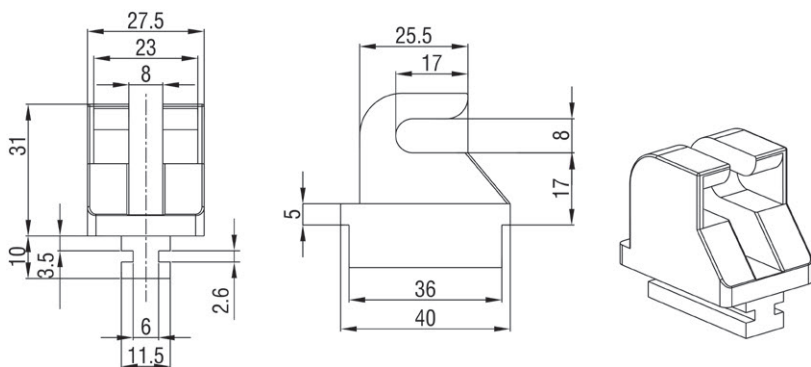


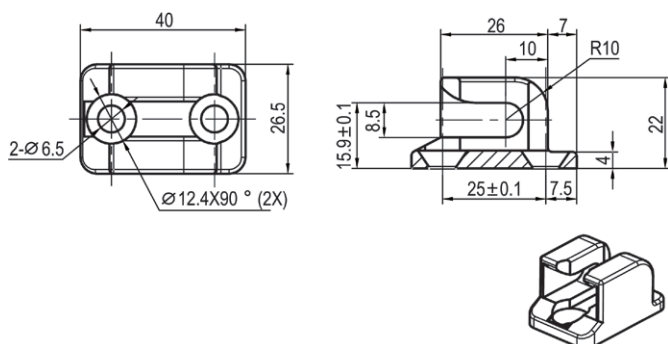
Zinc die (zinc plated).

Zinc Die	9401-4019
----------	-----------



Zinc die (black powder coated).

Zinc Die	9401-4031
----------	-----------



Zinc die (black powder coated or zinc plated).

Zinc Plated	9401-4026-01
Black Textured Powder Coated	9401-4026-20