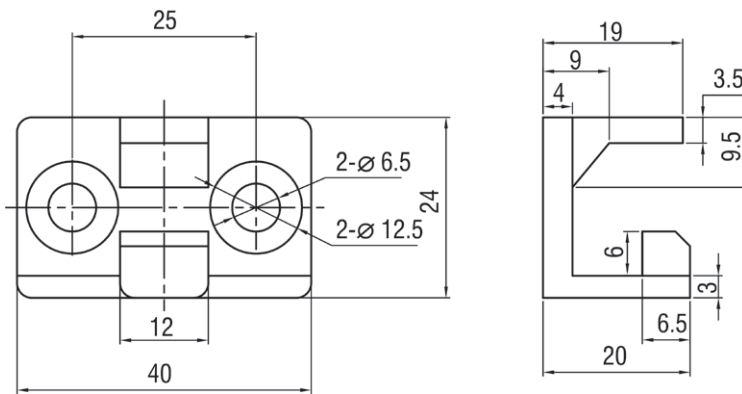


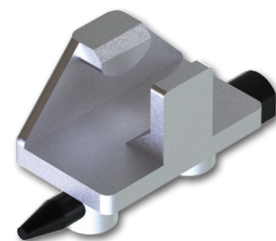
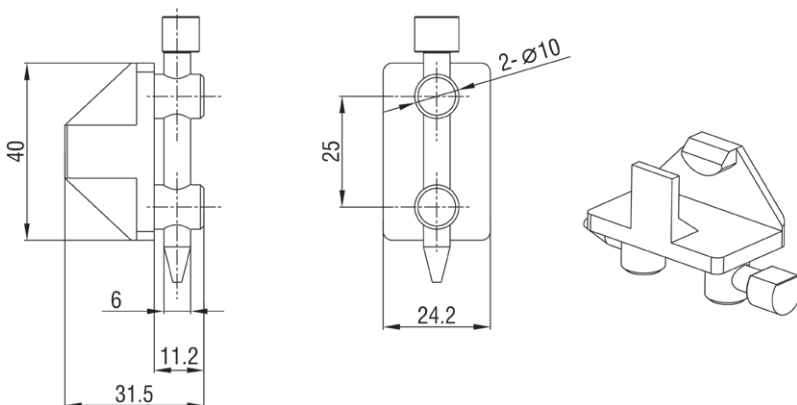
Zinc die, zinc plated or SS316.

Zinc Die	SS316
9405-01	9405-01-316



Zinc die (black powder coated).

Zinc Die	
	9401-4024



Zinc die (black powder coated), black polyamide clamping pin.

Zinc Die	
	9401-4025