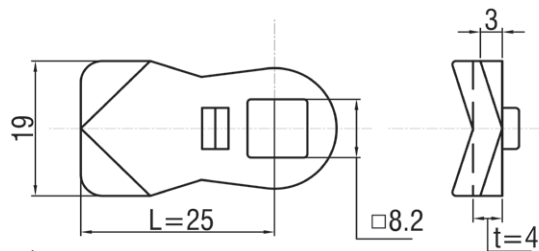
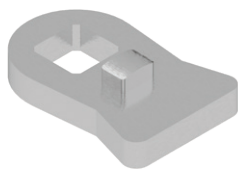




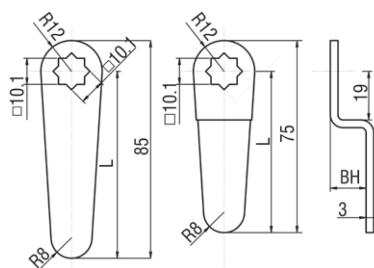
Cam 9100

CAMS



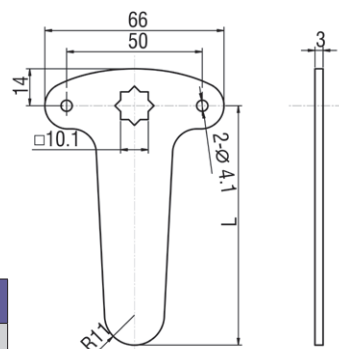
Mild steel zinc plated.

	L	BH
9100-2518	25	0
9100-2018	20	0



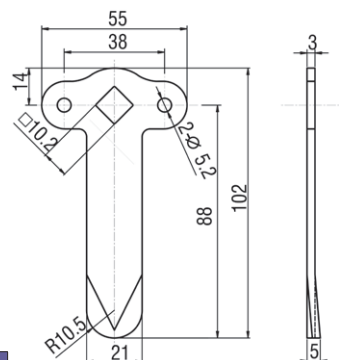
Mild steel zinc plated.

	L	BH
9100-4901-6002	60	2
9100-4901-6314	63	14
9100-4901-7300	73	0



Mild steel zinc plated.

	L	BH
9100-4902-6012	60	12
9100-4902-8118	81	18
9100-4902-8800	88	0



Mild steel zinc plated.

	L	BH
9100-4501-8800	88	0

www.metrolmotion.com