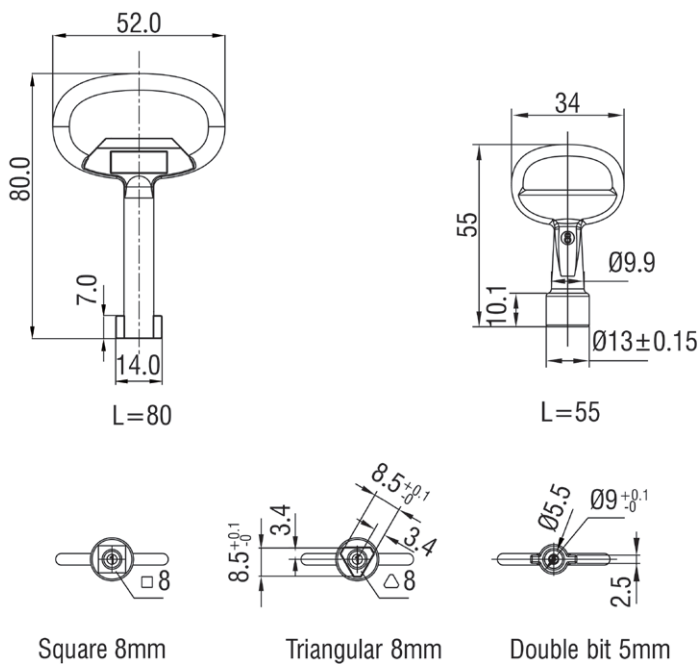


| Key Type   | Keyed  | Material                                |
|------------|--------|---|
| 9200-333   | KEY333 | Chrome coated brass                     |
| 9200-333PA |        | Polyamide fob + Chrome coated brass key |
| 9200-751   | CH751  | Chrome coated brass                     |
| 9200-2233  | YK2233 | Chrome coated brass                     |
| 9200-101   | YK101  | Chrome coated brass                     |



Zinc die (black powder coated or bright chrome).

| Key Type       | L=80mm              |                | L=55mm              |                |
|----------------|---------------------|----------------|---------------------|----------------|
|                | Black Powder Coated | Bright Chrome  | Black Powder Coated | Bright Chrome  |
| Double Bit 5mm | 9200-80-015-20      | 9200-80-015-30 | 9200-55-015-20      | 9200-55-015-30 |
| Triangular 8mm | 9200-80-038-20      | 9200-80-038-30 | 9200-55-038-20      | 9200-55-038-30 |
| Square 8mm     | 9200-80-048-20      | 9200-80-048-30 | 9200-55-048-20      | 9200-55-048-30 |