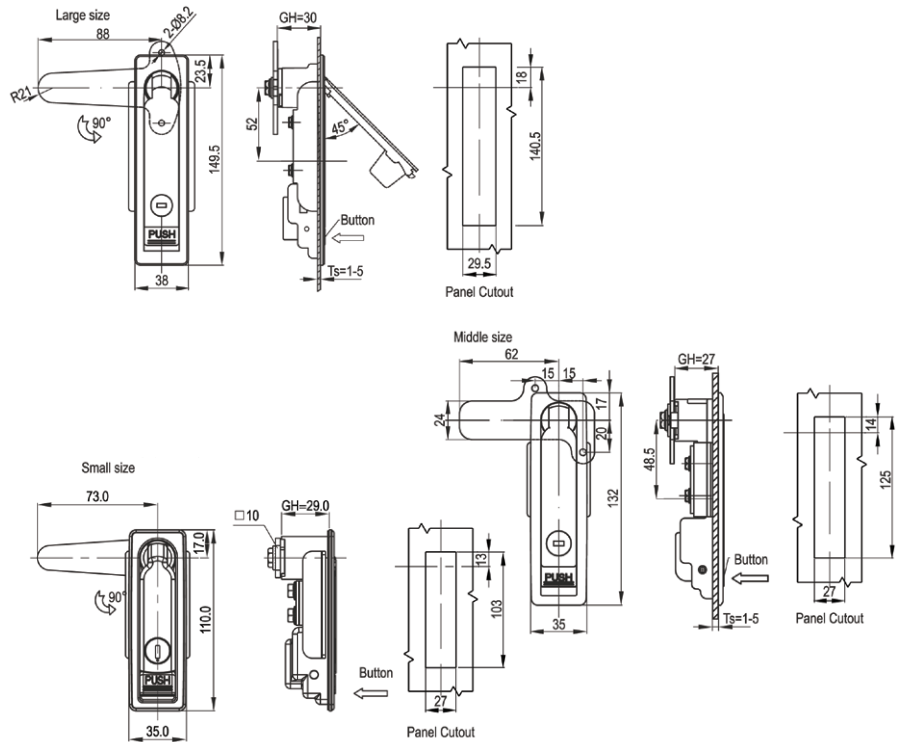




Pushbutton Lock 1221/1222

RL IP40

PUSHBUTTON LOCK

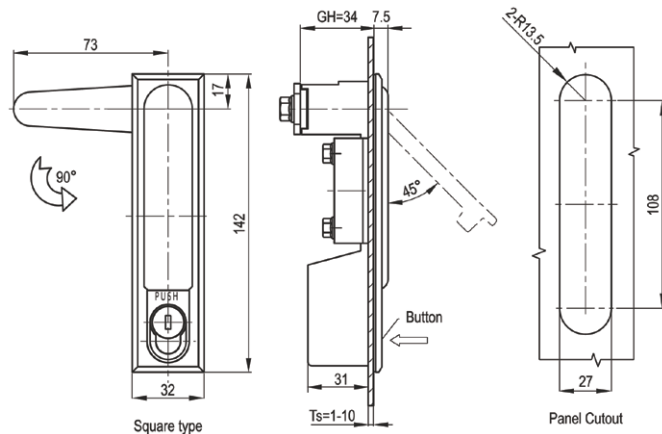


Zinc die handle, housing, button and cylinder. Mild steel zinc plated cam and fixing components.

	Satin Chrome	Black Powder Coated
Large Size	1221-01-40	1221-01-10
Middle Size	1221-02-40	1221-02-10
Small Size	1221-03-40	1221-03-10

Accessories ref. page 238. Cam ref. page 235

www.metrolmotion.com



RL IP65

Aluminium alloy handle, zinc die mild steel zinc plated cam.

Cylinder Style	Black Powder Coated
1117 Key	1222-1P01-10
0200 Key	1222-1P02-10

Accessories ref. page 238. Cam ref. page 235.