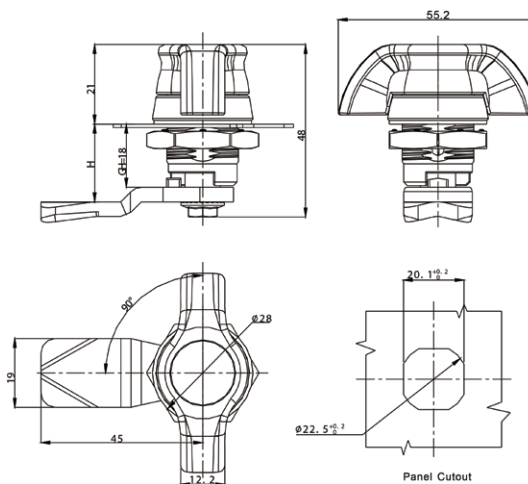


Zinc die handle and housing (black powder coated or bright chrome).
Mild steel zinc plated cam.

Finish	Part Number
Black Textured Powder Coated	1403-20-20
Bright Chrome	1403-20-30

Accessories ref. page 238. Cam ref. page 232.

Remark 1. Key different on request. 2. CH751 keyed on request. 3. Keyed KEY333. 4. Non-stopper cam required. 5. Available with horseshoe clip.



Zinc die handle and housing (black powder coated).
Mild steel zinc plated cam.

Insert Type	Black Smooth Powder Coated	Black Textured Powder Coated
Non-Locking	1404-100-10	1404-100-20
Alike Key333 Profile Round Cylinder	1404-110-10	1404-110-20
CH751 Key Locking, With Shutter	1404-120-10	1404-120-20
CH751 Key Locking, Without Shutter	1404-130-10	1404-130-20

Accessories ref. page 238. Cam ref. page 232.