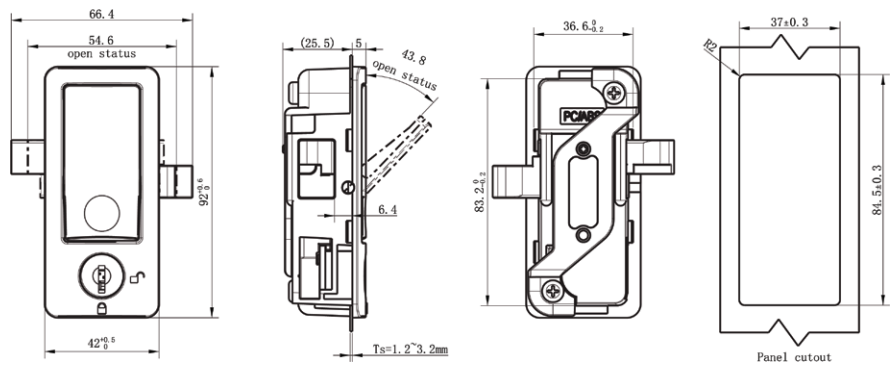


Zinc die handle and housing (black powder coated or bright chrome).
Mild steel zinc plated cam and shaft.

Grip Range		1247 Key Locking	
Cam Forward	Cam Reverse	Black Powder Coated	Bright Chrome
6-16	56-66	1247-10-110	1247-10-130
16-26	46-56	1247-10-210	1247-10-230
26-36	36-46	1247-10-310	1247-10-330



Black polyamide housing, latch and insert.

Black PA (Plastic)	1249-02-90
--------------------	------------

Remark 1. Keyed 751.