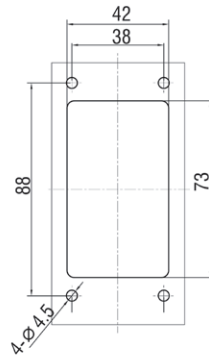
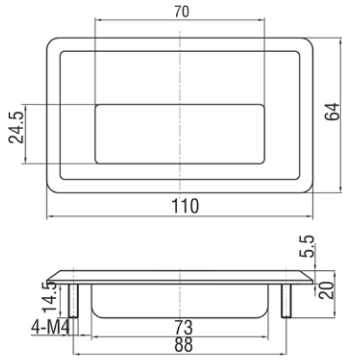
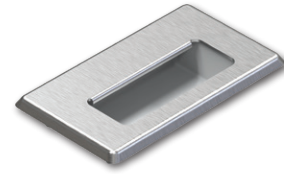


Pocket Pull Handles 3302/3303/3308

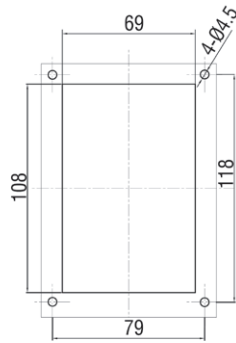
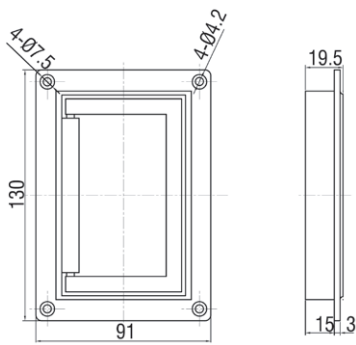


Panel cutout

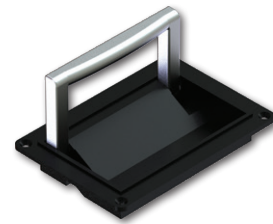


Stainless steel.

Product Code	3302-01
--------------	---------

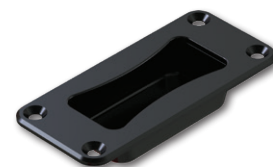
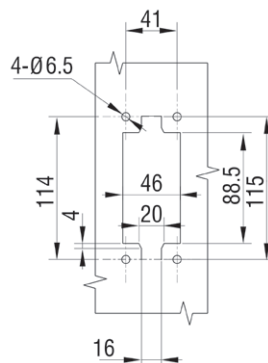
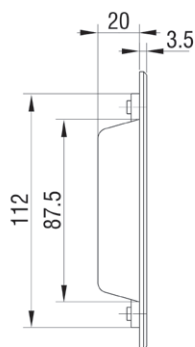
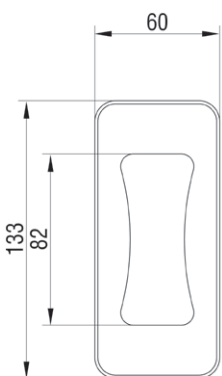


Panel cutout



Zinc die (black powder coated).

Product Code	3303-01
--------------	---------



Zinc die (black powder coated).

Product Code	3308-01-20
--------------	------------