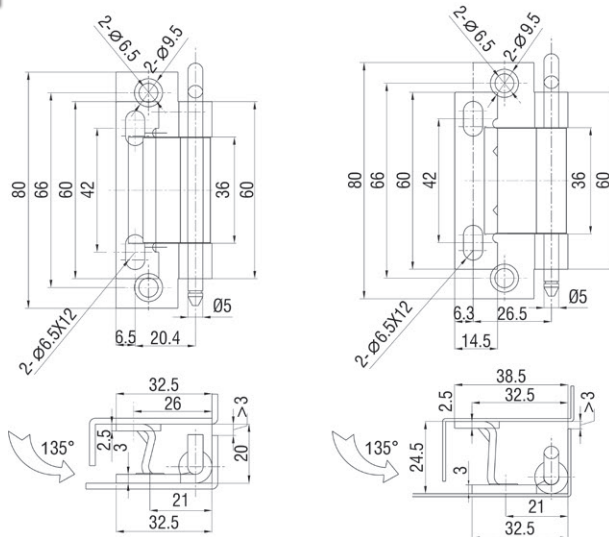


Mild steel zinc plated or SS304.

Screw-On / Weld-On	SS304	Steel
Dim 20	2407-021-304	2407-021-01
Dim 24.5	2407-022-304	2407-022-01



Mild steel zinc plated or SS304.

Screw-On	SS304	Steel
Dim 20	2407-031-304	2407-031-01
Dim 24.5	2407-032-304	2407-032-01