



AVMs

ANTI-VIBRATION MOUNTS

METROL

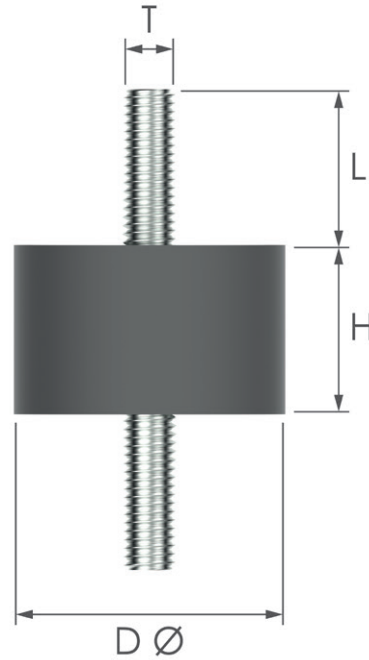
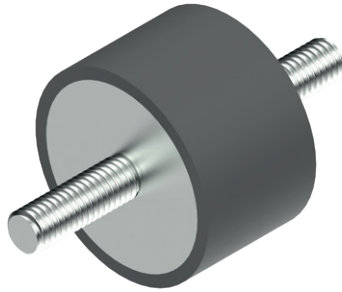


a company of

LESJÖFORS

SPRINGS & PRESSINGS

+44 (0)1604 499 332 SALES@METROL.COM WWW.METROL.COM
5 Clayfield Close, Moulton Park Industrial Estate, Northampton, NN3 6QF, UK



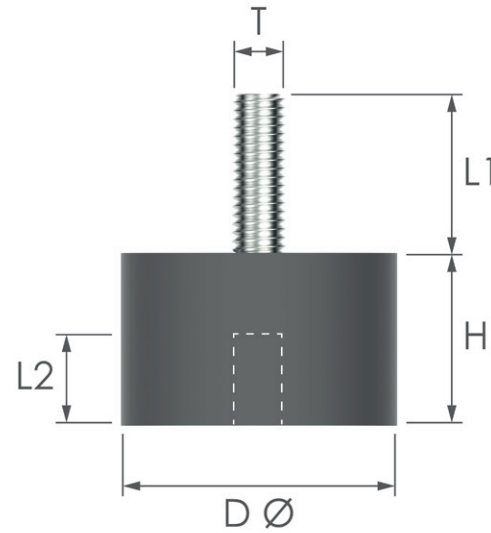
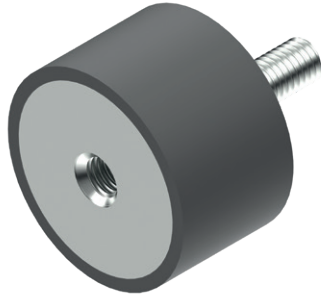
Male / Male Bobbins - 55 Shore

AVM Part No.	Diameter (D Ø)	Height (H)	Thread (T)	Thread Length (L)
AVM-MMB-0607-M306-55	6	7	M3	6
AVM-MMB-0808-M306-55	8	8	M3	6
AVM-MMB-1008-M410-55	10	8	M4	10
AVM-MMB-1010-M410-55	10	10	M4	10
AVM-MMB-1015-M410-55	10	15	M4	10
AVM-MMB-1506-M410-55	15	6	M4	10
AVM-MMB-1507-M410-55	15	7	M4	10
AVM-MMB-1508-M410-55	15	8	M4	10
AVM-MMB-1510-M410-55	15	10	M4	10
AVM-MMB-1513-M413-55	15	13	M4	13
AVM-MMB-1515-M410-55	15	15	M4	10
AVM-MMB-1515-M508-55	15	15	M5	8
AVM-MMB-1520-M410-55	15	20	M4	10
AVM-MMB-1530-M410-55	15	30	M4	10
AVM-MMB-2008-M618-55	20	8	M6	18
AVM-MMB-2010-M618-55	20	10	M6	18
AVM-MMB-2015-M618-55	20	15	M6	18
AVM-MMB-2020-M618-55	20	20	M6	18
AVM-MMB-2025-M618-55	20	25	M6	18
AVM-MMB-2030-M608-55	20	30	M6	8
AVM-MMB-2510-M618-55	25	10	M6	18
AVM-MMB-2515-M618-55	25	15	M6	18
AVM-MMB-2518-M618-55	25	18	M6	18
AVM-MMB-2520-M618-55	25	20	M6	18
AVM-MMB-2525-M618-55	25	25	M6	18
AVM-MMB-2530-M618-55	25	30	M6	18
AVM-MMB-3010-M820-55	30	10	M8	20
AVM-MMB-3015-M820-55	30	15	M8	20
AVM-MMB-3020-M820-55	30	20	M8	20
AVM-MMB-3025-M820-55	30	25	M8	20
AVM-MMB-3030-M820-55	30	30	M8	20
AVM-MMB-3040-M820-55	30	40	M8	20
AVM-MMB-4015-M820-55	40	15	M8	20

Male / Male Bobbins - 55 Shore

AVM Part No.	Diameter (D Ø)	Height (H)	Thread (T)	Thread Length (L)
AVM-MMB-4020-M823-55	40	20	M8	23
AVM-MMB-4020-M1028-55	40	20	M10	28
AVM-MMB-4025-M823-55	40	25	M8	23
AVM-MMB-4025-M1028-55	40	25	M10	28
AVM-MMB-4030-M823-55	40	30	M8	23
AVM-MMB-4030-M1028-55	40	30	M10	28
AVM-MMB-4035-M823-55	40	35	M8	23
AVM-MMB-4040-M823-55	40	40	M8	23
AVM-MMB-5020-M1028-55	50	20	M10	28
AVM-MMB-5025-M1028-55	50	25	M10	28
AVM-MMB-5030-M1028-55	50	30	M10	28
AVM-MMB-5035-M1028-55	50	35	M10	28
AVM-MMB-5040-M1028-55	50	40	M10	28
AVM-MMB-5045-M1033-55	50	45	M10	33
AVM-MMB-5050-M1028-55	50	50	M10	28
AVM-MMB-6030-M1028-55	60	30	M10	28
AVM-MMB-6030-M1233-55	60	30	M12	33
AVM-MMB-6040-M1028-55	60	40	M10	28
AVM-MMB-6040-M1233-55	60	40	M12	33
AVM-MMB-7045-M1028-55	70	45	M10	28
AVM-MMB-7525-M1237-55	75	25	M12	37
AVM-MMB-7540-M1237-55	75	40	M12	37
AVM-MMB-7550-M1237-55	75	50	M12	37
AVM-MMB-7555-M1237-55	75	55	M12	37
AVM-MMB-8020-M1033-55	80	20	M10	33
AVM-MMB-10040-M1641-55	100	40	M16	41
AVM-MMB-10050-M1641-55	100	50	M16	41
AVM-MMB-10055-M1641-55	100	55	M16	41
AVM-MMB-10060-M1641-55	100	60	M16	41
AVM-MMB-10075-M1641-55	100	75	M16	41
AVM-MMB-12055-M1648-55	120	55	M16	48
AVM-MMB-15050-M1641-55	150	50	M16	41
AVM-MMB-15055-M1641-55	150	55	M16	41
AVM-MMB-15075-M1641-55	150	75	M16	41

Technical data and shore variations available upon request



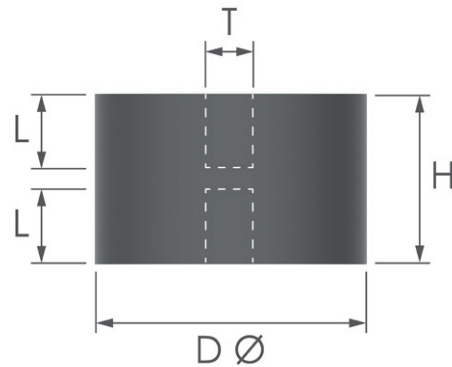
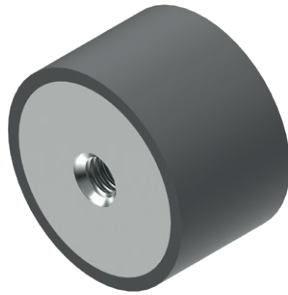
Male / Female Bobbins - 55 Shore

AVM Part No.	Diameter (D Ø)	Height (H)	Thread (T)	Thread Length (L1)	Thread Length (L2)
AVM-MFB-0607-M306-55	6	7	M3	6	3
AVM-MFB-0808-M306-55	8	8	M3	6	3
AVM-MFB-1007-M306-55	10	7	M3	6	3
AVM-MFB-1010-M410-55	10	10	M4	10	4
AVM-MFB-1015-M410-55	10	15	M4	10	4
AVM-MFB-1508-M410-55	15	8	M4	10	4
AVM-MFB-1508-M406-55	15	8	M4	6	4
AVM-MFB-1510-M410-55	15	10	M4	10	4
AVM-MFB-1510-M510-55	15	10	M5	10	4
AVM-MFB-1515-M410-55	15	15	M4	10	6
AVM-MFB-1515-M508-55	15	15	M5	8	6
AVM-MFB-1520-M410-55	15	20	M4	10	4
AVM-MFB-1530-M410-55	15	30	M4	10	4
AVM-MFB-2011-M618-55	20	11	M6	18	6
AVM-MFB-2015-M618-55	20	15	M6	18	6
AVM-MFB-2020-M618-55	20	20	M6	18	6
AVM-MFB-2025-M618-55	20	25	M6	18	6
AVM-MFB-2030-M618-55	20	30	M6	18	6
AVM-MFB-2515-M618-55	25	15	M6	18	6
AVM-MFB-2520-M618-55	25	20	M6	18	6
AVM-MFB-2525-M618-55	25	25	M6	18	6
AVM-MFB-2528-M616-55	25	28	M6	16	6
AVM-MFB-2530-M618-55	25	30	M6	18	6
AVM-MFB-3015-M820-55	30	15	M8	20	8
AVM-MFB-3020-M820-55	30	20	M8	20	8
AVM-MFB-3025-M820-55	30	25	M8	20	8
AVM-MFB-3030-M820-55	30	30	M8	20	8
AVM-MFB-3040-M820-55	30	40	M8	20	8
AVM-MFB-4015-M820-55	40	15	M8	20	8
AVM-MFB-4020-M823-55	40	20	M8	23	8
AVM-MFB-4020-M1028-55	40	20	M10	28	10
AVM-MFB-4025-M823-55	40	25	M8	23	8

Male / Female Bobbins - 55 Shore

AVM Part No.	Diameter (D Ø)	Height (H)	Thread (T)	Thread Length (L1)	Thread Length (L2)
AVM-MFB-4025-M1028-55	40	25	M10	28	10
AVM-MFB-4030-M823-55	40	30	M8	23	8
AVM-MFB-4030-M1028-55	40	30	M10	28	10
AVM-MFB-4040-M823-55	40	40	M8	23	8
AVM-MFB-4040-M1023-55	40	40	M10	23	10
AVM-MFB-5020-M1028-55	50	20	M10	28	10
AVM-MFB-5020-M828-55	50	20	M8	28	8
AVM-MFB-5025-M1028-55	50	25	M10	28	10
AVM-MFB-5030-M1028-55	50	30	M10	28	10
AVM-MFB-5030-M823-55	50	30	M8	23	8
AVM-MFB-5035-M1028-55	50	35	M10	28	10
AVM-MFB-5040-M1028-55	50	40	M10	28	10
AVM-MFB-5045-M1033-55	50	45	M10	33	10
AVM-MFB-5050-M1028-55	50	50	M10	28	10
AVM-MFB-6030-M1028-55	60	30	M10	28	10
AVM-MFB-6030-M1233-55	60	30	M12	33	12
AVM-MFB-6040-M1028-55	60	40	M10	28	10
AVM-MFB-6040-M1233-55	60	40	M12	33	12
AVM-MFB-7045-M1028-55	70	45	M10	28	10
AVM-MFB-7525-M1237-55	75	25	M12	37	12
AVM-MFB-7540-M1237-55	75	40	M12	37	12
AVM-MFB-7545-M1237-55	75	45	M12	37	12
AVM-MFB-7550-M1237-55	75	50	M12	37	12
AVM-MFB-7555-M1237-55	75	55	M12	37	12
AVM-MFB-10040-M1641-55	100	40	M16	41	16
AVM-MFB-10050-M1641-55	100	50	M16	41	16
AVM-MFB-10055-M1641-55	100	55	M16	41	16
AVM-MFB-10060-M1641-55	100	60	M16	41	16
AVM-MFB-10075-M1641-55	100	75	M16	41	16
AVM-MFB-15050-M1641-55	150	50	M16	41	16
AVM-MFB-15055-M1641-55	150	55	M16	41	16
AVM-MFB-15075-M1641-55	150	75	M16	41	16

Technical data and shore variations available upon request



Female / Female Bobbins - 55 Shore

AVM Part No.	Diameter (D Ø)	Height (H)	Thread (T)	Thread Length (L)
AVM-FFB-0808-M303-55	8	8	M3	3
AVM-FFB-1010-M404-55	10	10	M4	4
AVM-FFB-1015-M404-55	10	15	M4	4
AVM-FFB-1015-M305-55	10	15	M3	5
AVM-FFB-1510-M404-55	15	10	M4	4
AVM-FFB-1515-M405-55	15	15	M4	5
AVM-FFB-1515-M505-55	15	15	M5	5
AVM-FFB-1520-M405-55	15	20	M4	5
AVM-FFB-1525-M404-55	15	25	M4	4
AVM-FFB-1530-M404-55	15	30	M4	4
AVM-FFB-20135-M605-55	20	13.5	M6	5
AVM-FFB-2015-M606-55	20	15	M6	6
AVM-FFB-2020-M606-55	20	20	M6	6
AVM-FFB-2020-M505-55	20	20	M5	5
AVM-FFB-2025-M606-55	20	25	M6	6
AVM-FFB-2520-M606-55	25	20	M6	6
AVM-FFB-2525-M606-55	25	25	M6	6
AVM-FFB-2530-M606-55	25	30	M6	6
AVM-FFB-3020-M808-55	30	20	M8	8
AVM-FFB-3025-M808-55	30	25	M8	8
AVM-FFB-3030-M808-55	30	30	M8	8
AVM-FFB-3040-M808-55	30	40	M8	8
AVM-FFB-4025-M808-55	40	25	M8	8
AVM-FFB-4030-M808-55	40	30	M8	8
AVM-FFB-4030-M1010-55	40	30	M10	10
AVM-FFB-4035-M808-55	40	35	M8	8
AVM-FFB-4040-M808-55	40	40	M8	8
AVM-FFB-5030-M1010-55	50	30	M10	10

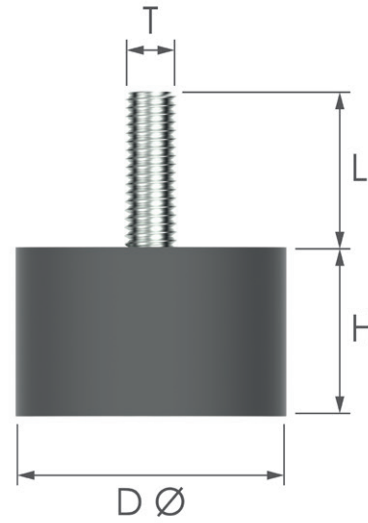
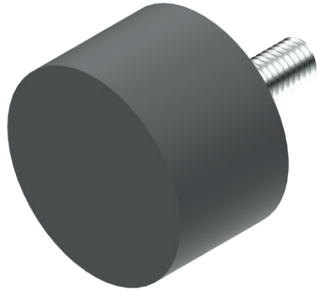
Female / Female Bobbins - 55 Shore

AVM Part No.	Diameter (D Ø)	Height (H)	Thread (T)	Thread Length (L)
AVM-FFB-5040-M1010-55	50	40	M10	10
AVM-FFB-5045-M1010-55	50	45	M10	10
AVM-FFB-5050-M1010-55	50	50	M10	10
AVM-FFB-5060-M1010-55	50	60	M10	10
AVM-FFB-60303-M1010-55	60	30	M10	10
AVM-FFB-6030-M1212-55	60	30	M12	12
AVM-FFB-6040-M1010-55	60	40	M10	10
AVM-FFB-6040-M1212-55	60	40	M12	12
AVM-FFB-6535-M808-55	65	35	M8	8
AVM-FFB-7035-M1010-55	70	35	M10	10
AVM-FFB-7045-M1010-55	70	45	M10	10
AVM-FFB-7050-M1010-55	70	50	M10	10
AVM-FFB-7540-M1212-55	75	40	M12	12
AVM-FFB-7545-M1212-55	75	45	M12	12
AVM-FFB-7550-M1212-55	75	50	M12	12
AVM-FFB-7555-M1212-55	75	55	M12	12
AVM-FFB-10040-M1616-55	100	40	M16	16
AVM-FFB-10050-M1616-55	100	50	M16	16
AVM-FFB-10055-M1616-55	100	55	M16	16
AVM-FFB-10060-M1616-55	100	60	M16	16
AVM-FFB-10075-M1616-55	100	75	M16	16
AVM-FFB-15050-M1616-55	150	50	M16	16
AVM-FFB-15050-M2018-55	150	50	M20	18
AVM-FFB-15055-M1616-55	150	55	M16	16
AVM-FFB-15055-M2018-55	150	55	M20	18
AVM-FFB-15075-M1616-55	150	75	M16	16
AVM-FFB-15075-M2018-55	150	75	M20	18
AVM-FFB-200100-M2018-55	200	100	M20	18
AVM-FFB-200100-M1616-55	200	100	M16	16

Technical data and shore variations available upon request

TECHNICAL SPECIFICATIONS

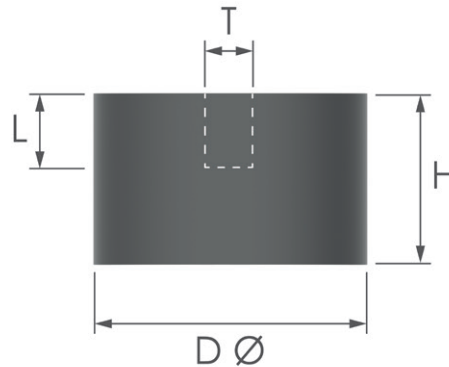
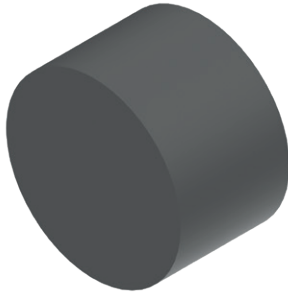
MALE STOP BUFFERS



Male Stop Buffers - 55 Shore				
AVM Part No.	Diameter (D Ø)	Height (H)	Thread (T)	Thread Length (L)
AVM-MSB-0607-M306-55	6	7	M3	6
AVM-MSB-0808-M306-55	8	8	M3	6
AVM-MSB-1008-M410-55	10	8	M4	10
AVM-MSB-1010-M410-55	10	10	M4	10
AVM-MSB-1015-M410-55	10	15	M4	10
AVM-MSB-1504-M408-55	15	4	M4	8
AVM-MSB-1505-M406-55	15	5	M4	6
AVM-MSB-1507-M410-55	15	7	M4	10
AVM-MSB-1508-M410-55	15	8	M4	10
AVM-MSB-1510-M410-55	15	10	M4	10
AVM-MSB-1513-M413-55	15	13	M4	13
AVM-MSB-1515-M410-55	15	15	M4	10
AVM-MSB-1520-M410-55	15	20	M4	10
AVM-MSB-1530-M410-55	15	30	M4	10
AVM-MSB-2005-M618-55	20	5	M6	18
AVM-MSB-2008-M618-55	20	8	M6	18
AVM-MSB-2010-M618-55	20	10	M6	18
AVM-MSB-2011-M618-55	20	11	M6	18
AVM-MSB-2012-M620-55	20	12	M6	20
AVM-MSB-20135-M618-55	20	13.5	M6	18
AVM-MSB-2015-M618-55	20	15	M6	18
AVM-MSB-2020-M618-55	20	20	M6	18
AVM-MSB-2025-M618-55	20	25	M6	18
AVM-MSB-2037-M618-55	20	37	M6	18
AVM-MSB-2508-M618-55	25	8	M6	18
AVM-MSB-2510-M618-55	25	10	M6	18
AVM-MSB-2513-M618-55	25	13	M6	18
AVM-MSB-2515-M618-55	25	15	M6	18
AVM-MSB-2518-M618-55	25	18	M6	18
AVM-MSB-2520-M618-55	25	20	M6	18
AVM-MSB-2525-M618-55	25	25	M6	18
AVM-MSB-2530-M618-55	25	30	M6	18
AVM-MSB-3008-M820-55	30	8	M8	20
AVM-MSB-3010-M820-55	30	10	M8	20
AVM-MSB-3015-M823-55	30	15	M8	23
AVM-MSB-3017-M820-55	30	17	M8	20
AVM-MSB-3020-M820-55	30	20	M8	20
AVM-MSB-3025-M820-55	30	25	M8	20
AVM-MSB-3030-M820-55	30	30	M8	20
AVM-MSB-3040-M820-55	30	40	M8	20
AVM-MSB-3045-M820-55	30	45	M8	20

Male Stop Buffers - 55 Shore				
AVM Part No.	Diameter (D Ø)	Height (H)	Thread (T)	Thread Length (L)
AVM-MSB-4010-M823-55	40	10	M8	23
AVM-MSB-4015-M823-55	40	15	M8	23
AVM-MSB-4020-M823-55	40	20	M8	23
AVM-MSB-4025-M823-55	40	25	M8	23
AVM-MSB-4027-M820-55	40	27	M8	20
AVM-MSB-4028-M823-55	40	28	M8	23
AVM-MSB-4030-M823-55	40	30	M8	23
AVM-MSB-4030-M1028-55	40	30	M10	28
AVM-MSB-4035-M823-55	40	35	M8	23
AVM-MSB-4038-M823-55	40	38	M8	23
AVM-MSB-4040-M823-55	40	40	M8	23
AVM-MSB-4050-M823-55	40	50	M8	23
AVM-MSB-5017-M1028-55	50	17	M10	28
AVM-MSB-5020-M1028-55	50	20	M10	28
AVM-MSB-5025-M1028-55	50	25	M10	28
AVM-MSB-5028-M1028-55	50	28	M10	28
AVM-MSB-5030-M1028-55	50	30	M10	28
AVM-MSB-5035-M1028-55	50	35	M10	28
AVM-MSB-5040-M1028-55	50	40	M10	28
AVM-MSB-5045-M1028-55	50	45	M10	28
AVM-MSB-5050-M1028-55	50	50	M10	28
AVM-MSB-6030-M1028-55	60	30	M10	28
AVM-MSB-6030-M1233-55	60	30	M12	33
AVM-MSB-6040-M1028-55	60	40	M10	28
AVM-MSB-6040-M1233-55	60	40	M12	33
AVM-MSB-7025-M1028-55	70	25	M10	28
AVM-MSB-7045-M1028-55	70	45	M10	28
AVM-MSB-7050-M1237-55	70	50	M12	37
AVM-MSB-7525-M1237-55	75	25	M12	37
AVM-MSB-7540-M1237-55	75	40	M12	37
AVM-MSB-7545-M1237-55	75	45	M12	37
AVM-MSB-7550-M1237-55	75	50	M12	37
AVM-MSB-7555-M1237-55	75	55	M12	37
AVM-MSB-10040-M1641-55	100	40	M16	41
AVM-MSB-10050-M1641-55	100	50	M16	41
AVM-MSB-10055-M1641-55	100	55	M16	41
AVM-MSB-10060-M1641-55	100	60	M16	41
AVM-MSB-10075-M1641-55	100	75	M16	41
AVM-MSB-15050-M1641-55	150	50	M16	41
AVM-MSB-15055-M1641-55	150	55	M16	41
AVM-MSB-15060-M1641-55	150	60	M16	41
AVM-MSB-15075-M1641-55	150	75	M16	41

Technical data and shore variations available upon request



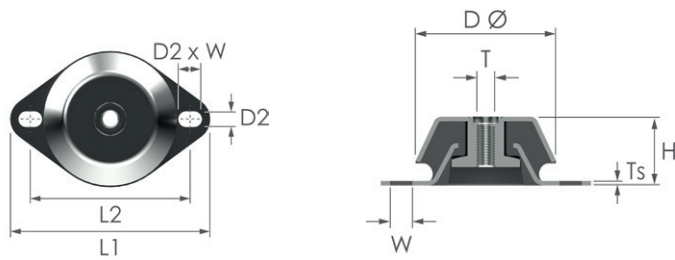
Female Stop Buffers - 55 Shore

AVM Part No.	Diameter (D Ø)	Height (H)	Thread (T)	Thread Length (L)
AVM-FSB-0808-M303-55	8	8	M3	3
AVM-FSB-1010-M404-55	10	10	M4	4
AVM-FSB-1015-M404-55	10	15	M4	4
AVM-FSB-1510-M404-55	15	10	M4	4
AVM-FSB-1515-M404-55	15	15	M4	4
AVM-FSB-1515-M505-55	15	15	M5	5
AVM-FSB-2010-M606-55	20	10	M6	6
AVM-FSB-2011-M606-55	20	11	M6	6
AVM-FSB-2012-M606-55	20	12	M6	6
AVM-FSB-20135-M606-55	20	13.5	M6	6
AVM-FSB-2015-M606-55	20	15	M6	6
AVM-FSB-2020-M606-55	20	20	M6	6
AVM-FSB-2025-M606-55	20	25	M6	6
AVM-FSB-2510-M606-55	25	10	M6	6
AVM-FSB-2515-M606-55	25	15	M6	6
AVM-FSB-2520-M606-55	25	20	M6	6
AVM-FSB-2525-M606-55	25	25	M6	6
AVM-FSB-2528-M606-55	25	28	M6	6
AVM-FSB-2530-M606-55	25	30	M6	6
AVM-FSB-3015-M808-55	30	15	M8	8
AVM-FSB-3017-M808-55	30	17	M8	8
AVM-FSB-3020-M808-55	30	20	M8	8
AVM-FSB-3025-M808-55	30	25	M8	8
AVM-FSB-3030-M808-55	30	30	M8	8
AVM-FSB-3040-M808-55	30	40	M8	8
AVM-FSB-4020-M808-55	40	20	M8	8
AVM-FSB-4020-M1010-55	40	20	M10	10
AVM-FSB-4025-M808-55	40	25	M8	8
AVM-FSB-4030-M808-55	40	30	M8	8
AVM-FSB-4030-M1010-55	40	30	M10	10
AVM-FSB-4040-M808-55	40	40	M8	8

Female Stop Buffers - 55 Shore

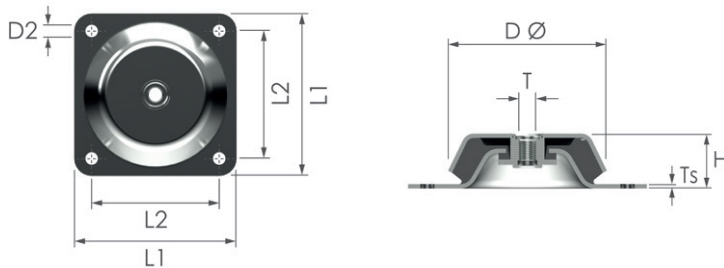
AVM Part No.	Diameter (D Ø)	Height (H)	Thread (T)	Thread Length (L)
AVM-FSB-5020-M1010-55	50	20	M10	10
AVM-FSB-5025-M1010-55	50	25	M10	10
AVM-FSB-5028-M1010-55	50	28	M10	10
AVM-FSB-5030-M1010-55	50	30	M10	10
AVM-FSB-5035-M1010-55	50	35	M10	10
AVM-FSB-5040-M1010-55	50	40	M10	10
AVM-FSB-5045-M1010-55	50	45	M10	10
AVM-FSB-5050-M1010-55	50	50	M10	10
AVM-FSB-6030-M1010-55	60	30	M10	10
AVM-FSB-6030-M1212-55	60	30	M12	12
AVM-FSB-6040-M1010-55	60	40	M10	10
AVM-FSB-6040-M1212-55	60	40	M12	12
AVM-FSB-7025-M1010-55	70	25	M10	10
AVM-FSB-7030-M1010-55	70	30	M10	10
AVM-FSB-7045-M1010-55	70	45	M10	10
AVM-FSB-7525-M1212-55	75	25	M12	12
AVM-FSB-7540-M1212-55	75	40	M12	12
AVM-FSB-7545-M1212-55	75	45	M12	12
AVM-FSB-7550-M1212-55	75	50	M12	12
AVM-FSB-7555-M1212-55	75	55	M12	12
AVM-FSB-10040-M1616-55	100	40	M16	16
AVM-FSB-10050-M1616-55	100	50	M16	16
AVM-FSB-10055-M1616-55	100	55	M16	16
AVM-FSB-10060-M1616-55	100	60	M16	16
AVM-FSB-10075-M1616-55	100	75	M16	16
AVM-FSB-15045-M1616-55	150	45	M16	16
AVM-FSB-15050-M1616-55	150	50	M16	16
AVM-FSB-15055-M1616-55	150	55	M16	16
AVM-FSB-15060-M1616-55	150	60	M16	16
AVM-FSB-15075-M1616-55	150	75	M16	16
AVM-FSB-150100-M2020-55	150	100	M20	20

Technical data and shore variations available upon request



Oval Flange with Fail Safe - 60 Shore

AVM Part No.	Diameter (D Ø)	Height (H)	Thread (T)	Material Thickness (Ts)	Hole Spacing (L2)	Diameter x Length (D2 x W)	Length (L1)	Maximum Force (daN)
AVM-OFCTM-6031-M10-75-92	60	31	M10	3	75-90	Ø 8,3 x 16	106	212
AVM-OFCTM-6031-M12-75-92	60	31	M12	3	75-90	Ø 8,3 x 16	106	212
AVM-OFCTM-7730-M10-110	77	30	M10	2	110	Ø 9	128	280
AVM-OFCTM-8235-M10-110	82	35	M10	3	110	Ø 11	128	345
AVM-OFCTM-9245-M12-110	92	45	M12	3	110	Ø 10,5	138	585
AVM-OFCTM-10638-M12-138-146	106	38	M12	3	138-146	Ø 14 x 18	172	660
AVM-OFCTM-10850-M16-160	108	50	M16	5	160	Ø 16,5	190	660
AVM-OFCTM-12142-M16-158	121	42	M16	3	158	Ø 13,5	188	760
AVM-OFCTM-14448-M16-186	144	48	M16	4	186	Ø 14 x 18	216	1340

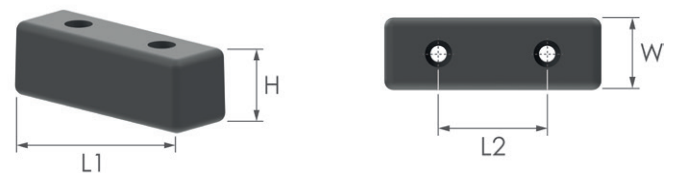


Square Flange with Fail Safe - 60 Shore

AVM Part No.	Diameter (D Ø)	Height (H)	Thread (T)	Distance to Edge (L1)	Material Thickness (Ts)	Hole Spacing (L2)	Maximum Force (daN)	Hole Diameter (D2 Ø)
AVM-SFCTM-15051-M16-132	150	51	M16	168	4	132	880	13
AVM-SFCTM-177624-M20-150	177	62.4	M20	184	4	150	1326	13

2 Hole Cuboid Truck Buffer - 75 Shore

AVM Part No.	Height (H)	Hole Spacing (L2)	Length (L1)	Width (W)
AVM-TB-1540-60	15	60	125	40
AVM-TB-4040-60	40	60	120	40
AVM-TB-4035-60	40	60	125	35
AVM-TB-4540-60	45	60	125	40
AVM-TB-5043-60	50	60	125	43
AVM-TB-7043-60	70	60	120	43



2 Hole Trapezoid Truck Buffer - 75 Shore

AVM Part No.	Height (H)	Hole Spacing (L2)	Length (L1)	Width (W)
AVM-TTB-3050-50	30	50	100	50
AVM-TTB-7090-82	70	82	170	90
AVM-TTB-9382-120	93	120	243	82



Technical data and shore variations available upon request

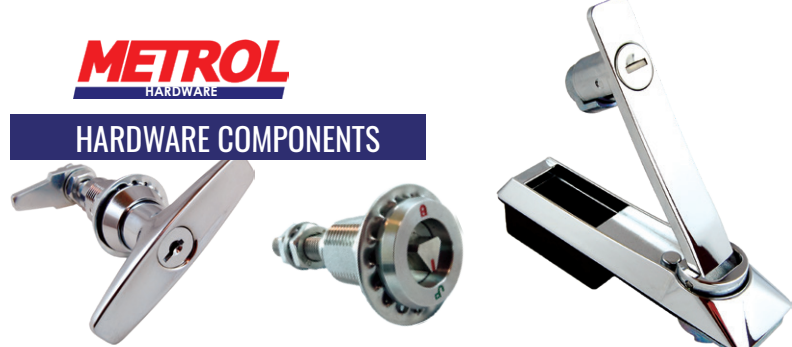
METROL

Metrol Springs Ltd specialises in the design and manufacture of **Gas Springs** and **Gas Struts**, offering technical support and stock market leading products including Quality **Hardware Components**, **Accuride Drawer Slides**, **Lesjofors Wire Spring Products**, **Metserts Threaded Inserts**, **Anti Vibration Mounts** and **TiMotion Linear Actuators**.



NitroStruts

GAS STRUTS



METROL

HARDWARE

HARDWARE COMPONENTS



Accuride

DRAWER SLIDES



LESJÖFORS

WIRE SPRING PRODUCTS



SAS

SPECIAL APPLICATION SOLUTIONS

SPECIAL APPLICATION SOLUTIONS



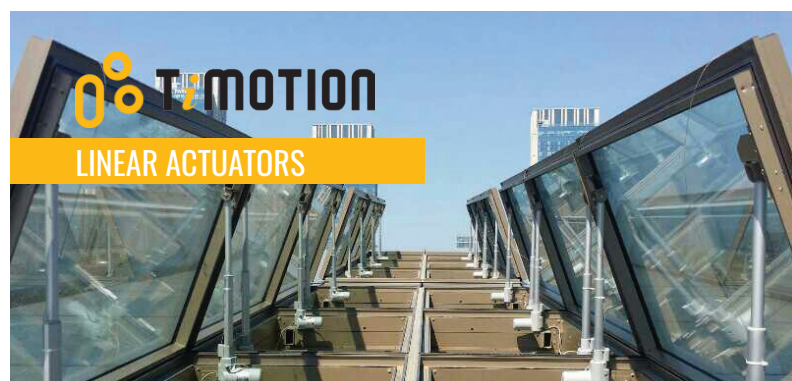
METSERTS

THREADED INSERTS



AVMs

ANTI VIBRATION MOUNTS



TIMOTION

LINEAR ACTUATORS

FOR MORE INFORMATION ON OUR PRODUCT RANGES CONTACT US ON: 01604 499 332