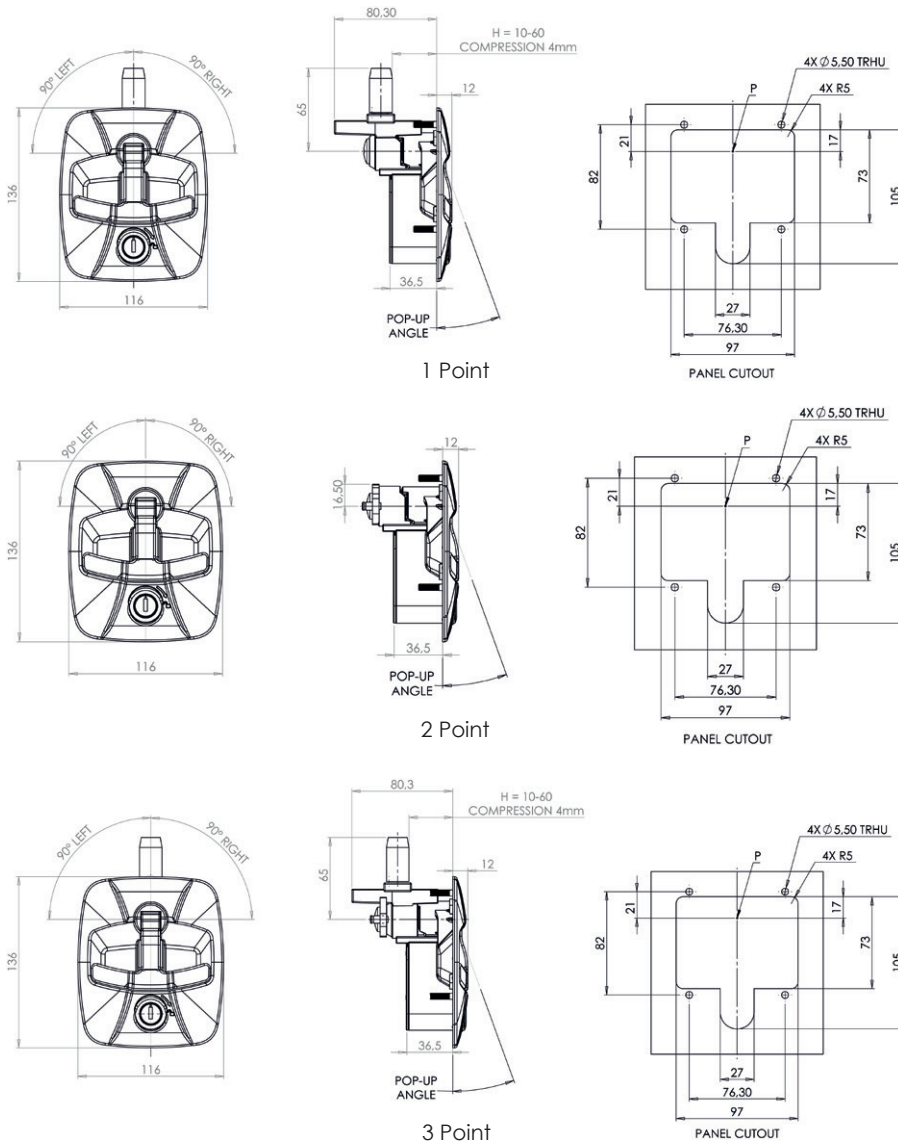


1710-1 POP UP T-HANDLE COMPRESSION LATCH

M5 18MM STUDS



IP65



Range Overview		
Model No.	Cylinder Type	Control Type
1710-11201-20	CH751 Locking (Keyed 805 available)	1 Point
1710-12201-20		2 Point
1710-13201-20		3 Point

Product Overview	
Cylinder Type	CH751 Locking (2 Keys Supplied)
IP Rating	IP65
Opening	Left or Right (180°)
Panel Thickness	1 - 10mm
Grip Range	10 - 60mm
Mounting Style	M5 18mm Studs
Cam Option	Cam Supplied

Parts Specifications	
Section	Material
Body	Black PA6+30%GF Plastic
Handle	Black PA6+30%GF Plastic (Stainless Steel available)
Shaft	Stainless Steel
Cylinder	Stainless Steel

Can be installed indoors or outdoors, with an IP rating of IP65 thanks to the dust and water resistant seal.