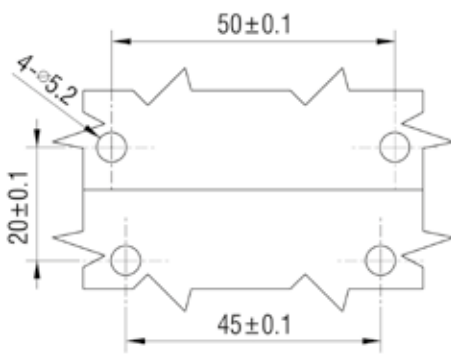
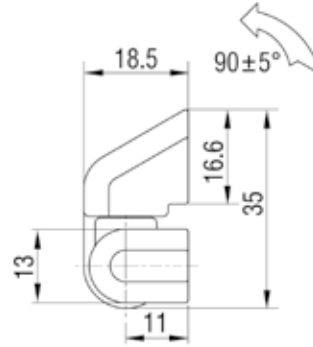
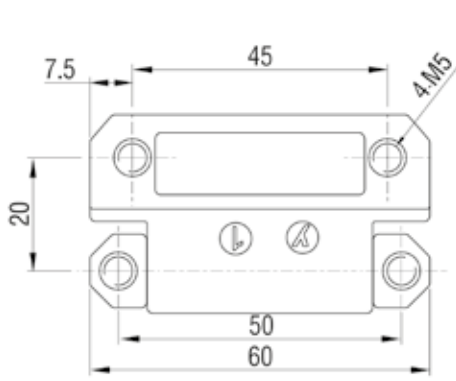




External Hinge 2338



Panel cutout

Zinc screw-on torque hinge, stainless steel pin. Symmetric N.m.

	Black Textured Powder Coated	Grey
Free Operating	2338-6000-20	2338-6000-22
1.36	2338-6136-20	2338-6136-22
2.26	2338-6226-20	2338-6226-22
3.16	2338-6316-20	2338-6316-22
4.07	2338-6407-20	2338-6407-22

Asymmetric N.m.

Forward Torque N.m	Reverse Torque N.m	Black Textured Powder Coated	Grey
2.3	1.4	2338-623F-20	2338-623F-22
3.2	1.9	2338-632F-20	2338-632F-22
4.1	2.4	2338-641F-20	2338-641F-22
5	3	2338-650F-20	2338-650F-22
1.4	2.3	2338-614R-20	2338-614R-22
1.9	3.2	2338-619R-20	2338-619R-22
2.4	4.1	2338-624R-20	2338-624R-22
3	5	2338-630R-20	2338-630R-22

CYCLE LIFE: 1. Within 25,000 cycles static torque stay within ±20% of torque specification.



EXTERNAL HINGES

www.metroilmotion.com