

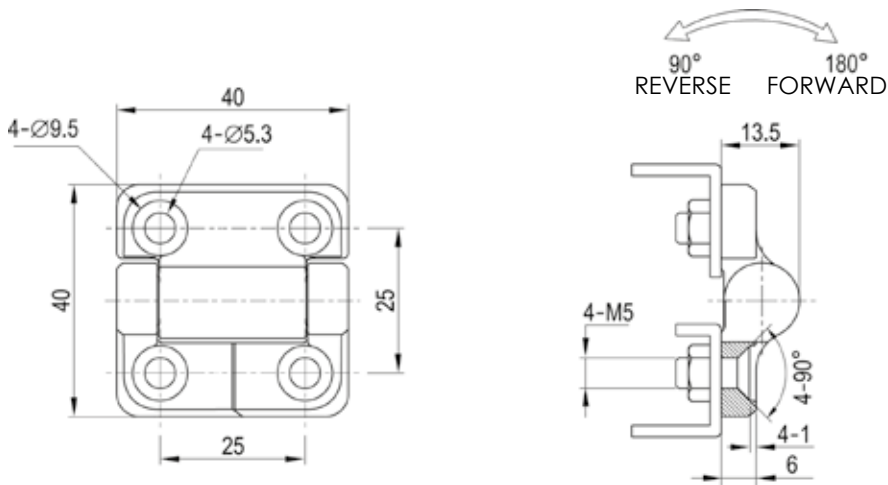


Screw-On Torque Hinge 2136

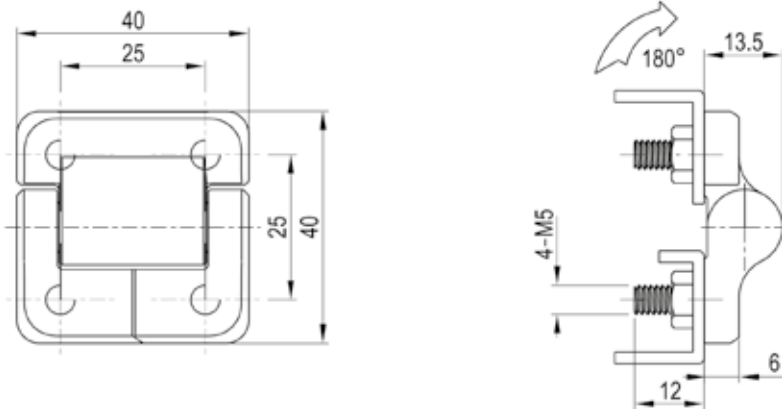


TORQUE HINGES

Countersunk Screw M5



With Threaded Studs M5



Zinc screw-on torque hinge, stainless steel pin. Symmetric N.m.

N.m.	Black Textured Powder Coated	
	Countersunk Screw M5	With Threaded Studs M5
Free Operating	2136-4000-20	2136-4100-20
0.9	2136-4009-20	2136-4109-20
1.4	2136-4014-20	2136-4114-20
1.8	2136-4018-20	2136-4118-20
2.3	2136-4023-20	2136-4123-20

CYCLE LIFE: Within 25,000 cycles static torque stay. Within $\pm 20\%$ of torque specification.



www.metroImotion.com