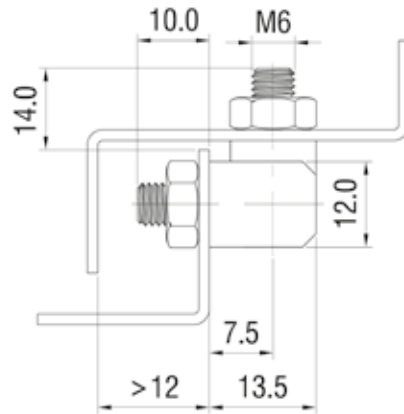
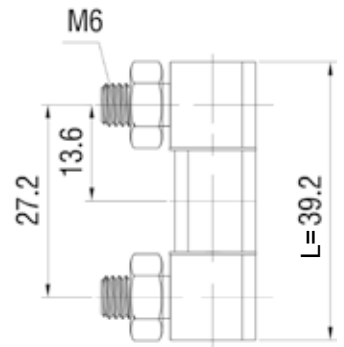




Small size



Two Joints



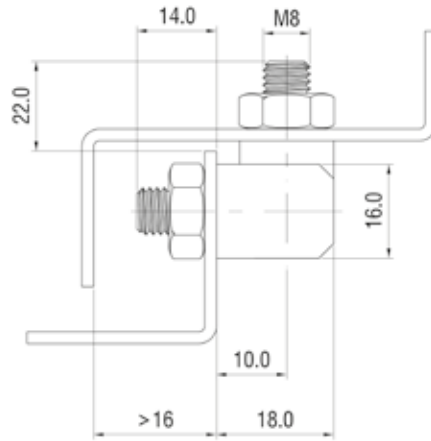
Three Joints

Stainless steel or mild steel zinc plated.

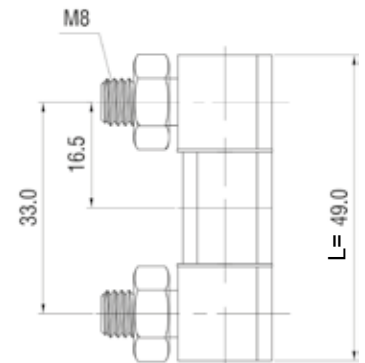
Version	L	Stainless Steel	Steel
Two Joints	L=25.6	2207-256-304	2207-256-01
Three Joints	L=39.2	2207-392-304	2207-392-01



Large size



Two Joints



Three Joints

Stainless steel or mild steel zinc plated.

Version	L	Stainless Steel	Steel
Two Joints	L=32.5	2207-325-304	2207-325-01
Three Joints	L=49	2207-490-304	2207-490-01