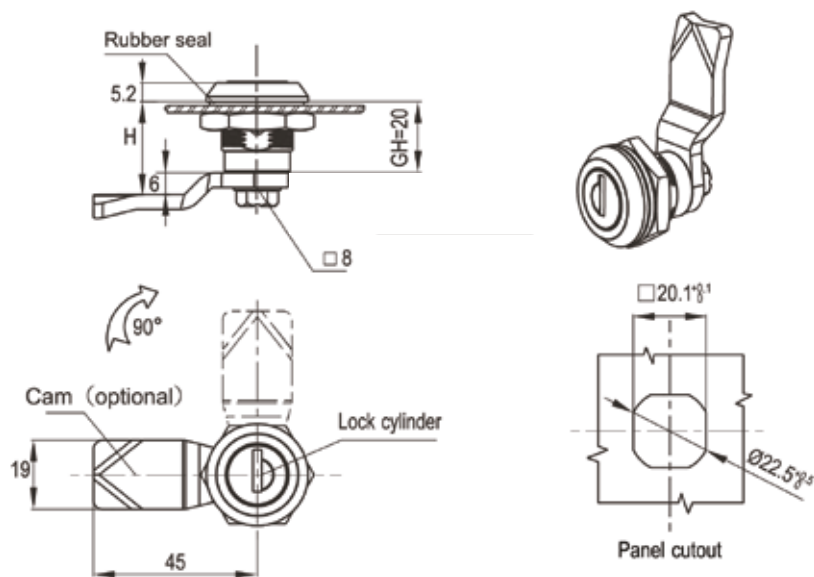




# Quarter Turn Lock 1401

## Hygienic Quarter Turn Lock 1401

**RL IP65**

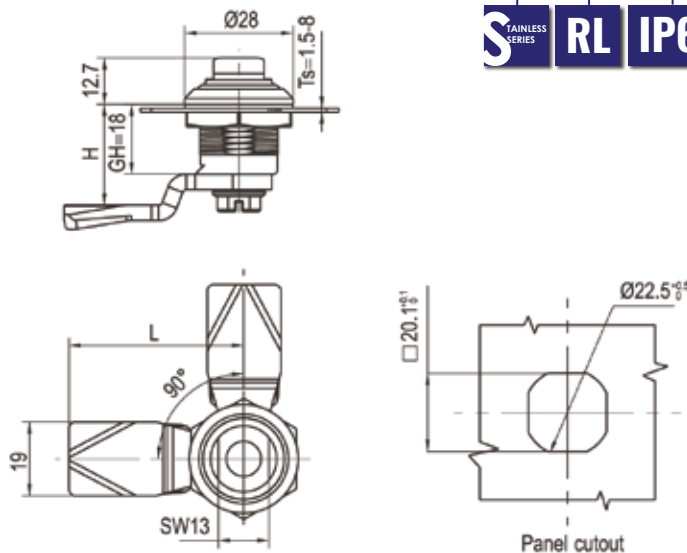


Zinc die housing (black powder coated or bright chrome), mild steel zinc plated cam.

|                              | Key Removable In Both Positions | Key Removable In Closed Position Only |
|------------------------------|---------------------------------|---------------------------------------|
| Black Textured Powder Coated | 1401-20-20                      | 1401-20-20B                           |
| Bright Chrome                | 1401-20-30                      | 1401-20-30B                           |

Accessories ref. page 253. Cam ref. page 245.

**Remark** 1. Keyed KEY333. 2. CH751 keyed on request. 3. Key different on request. 4. Insert is not spring loaded. 5. Non-stopper cam supplied separately.



**STAINLESS SERIES RL IP65**

SS316L housing and insert, SS304 cam.

|        |              |
|--------|--------------|
| SS316L | 1401-30-316L |
|--------|--------------|

Accessories ref. page 253. Cam ref. page 245. **Remark:** 1. Requires a 13mm spanner to operate. 2. PU seal between lock and housing. 3. Cam supplied separately.

